

Designer and manufacturer of LED lighting



lucibel
lighting innovation

Catalogue
september - october 2013

LED lighting solutions for Offices



Corp, Barcelone, Spain

Ernst&Young, Paris-La Défense, France





Frederic Granotier

Founder & CEO

Founder of several companies, including POWEO, 1st new entrant on the French energy market, which grew from 0 to €700M in revenues in 7 years. Frederic founded Lucibel in 2008.

« Answering growing energy needs by building more and more generation capacities is expensive and costly for our planet.

Let's first reduce electric consumption for existing installations and equipment. Lighting is the simplest, most efficient and immediate way to reduce consumption.

The lighting market has experienced an extraordinary technology jump with the emergence of the LED technology which ensures a division by 3, 5 or 10 of the current electric consumption.

Our R&D teams permanently design more competitive and innovative products in order to offer you the tremendous potential of LED technology as well as its new applications. Our products are designed and assembled in our own factory, ensuring quality and reliability.

Trusting Lucibel will allow you to enjoy all the benefits of very low consumption LED lighting and will give meaning to your decisions by protecting the planet ! »

Trusted by clients

Paris airport
Acciona
Amundi Asset Management
Audi
BNP
Caixa
Casino Cafétéria

Nantes Hospital
Montpellier Hospital
Crédit Agricole
Museum of Louvre
Elior
Ernst&Young
Cochin Hospital

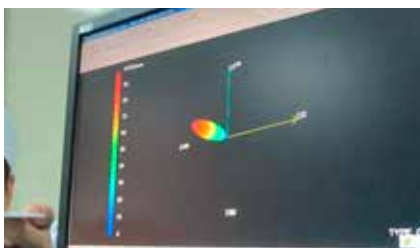
Sainte-Anne Hospital
H&M
La Tribune de Genève
Leclerc
French school of Hong Kong
city hall of Paris
Musée d'Orsay

Mutualité de Paris
Régie Immobilière de la Ville de Paris
Renault
Roland Garros
Société Générale
Total
Velcro...

Our partners

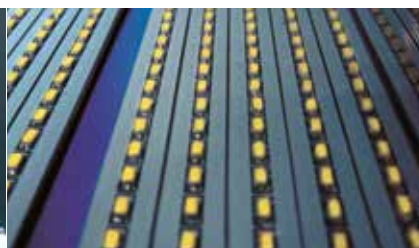


Lucibel, an integrated industrial player



Conception

- High-performing, ecological and economical products
- R&D center and product design based in Lyon
- Member of OSEO Excellence
- Development and co-development



Manufacturing

- 2800m² facility (ISO9001)
- Product traceability
- Strict selection of components
- Perfection attained on the quality
- Full control over timeframes
- Scalable production capacity
- Adaptation to specific demand
- Photometry conducted on-site



Commercialization

- Presence in 35 countries
- Lighting studies (DIALUX)
- energy consumption spreadsheets
- Return on investment analyses
- Warehouse in Havre (France) for orders in Europe and the Middle East, or order pick-up directly at our site.

The many advantages of LED:

LED lighting provides fast return on investment and substantial benefits.

>> Economical

- A reduction of almost 50% in the electricity consumption budget
- Reduced maintenance costs and nearly maintenance-free (lifetime of up to 50,000 hours)



>> Eco-friendly

- Low consumption (80 to 85% in energy savings when compared against traditional sources)
- Durable and recyclable components (Récylum)



>> High Quality of light

- Instant on (switch-on made possible even at low temperatures of -20°C)
- Light intensity adjustment (1-10V and DALI)
- Homogeneous, uniform and comfortable light
CRI > 80 (outdoor and industrial lighting), CRI 85 (tertiary) Warm White (2800K), Natural White (4000K), Cold White (6000K)
- Without flickering

>> Safe

- No overheating (optimized heat sink)
- Does not contain mercury or other toxic products. No UV nor infrared radiation.



Lucibel works closely with best LED component suppliers to guarantee homogeneity of color temperature (Kelvin) of all its products.

Lucibel has received the TÜV «photo-biological safety» certification for all its core range products

CE, RoHS, Photobiological safety (EN 62471), Low Voltage Directive (EN 60598-1/2-1/2-2), Electromagnetic Compatibility (IEC 61547)

The warranty

Sources : 2 years

Light fixtures : 3 years

Consult our general terms of sale for more information

A 5-step approach

- 1 First meeting
- 2 Visit of the site
- 3 Lighting and profitability studies
- 4 Commercial proposal
- 5 Installation and monitoring

Our customer focus



Commitment

We are dedicated to fulfilling your needs.

Customizing our solutions to your specific lighting project.



Anticipation

We offer you the best solutions.

Positioned at the forefront of new technologies to bring you the best products.



Innovation

We always strive to go beyond.

Developing new and competitive products to answer your specific needs.


















Quality

We commit to total quality through 100% factory ownership.

Using the best LED components optimizing optics and thermal dissipation, manufacturing to the highest standards

Summary

	Table of equivalences	7
	Pictogram List	10
	Glossary	11
	Lucibel Light fixtures	13
	Downlight	15
	LuciPanel	25
	LuciDream New	47
	LuciTrack	49
	LuciSpot	61
	Cardanic-movement lighting fixtures	63
	LED strip	65
	Clip n'Slide New	71
	LuciLine	73
	LuciPark	79
	LuciBay	85
	LuciFlood	97
	Lucibel sources	109
	Powerlight Eye Protection	111
	LuciTube - Integrated driver New	119
	LED GU5.3 / GU10 New	125

Summary







	Lucibel accessories	129
	Mounting frame	131
	Simple IP65 frame New	132
	IP65 frame	134
	STAFF fitting frame	135
	Suspension cable	136
	Aluminium profile	137
	Rings	139
	Lucibel drivers	143
	Standard driver	145
	Dimmable driver (1-10V, Dali, ...)	152
	Transformer	160
	Controller	162
	LucEco sources	169
	LucEco light fixtures	171
	TrackLED	171
	MoonLED	173
	Some flagship achievements	175

Table of equivalences

Light fixtures



Current product	Lifetime (hours)
CFL Downlight 1x18W	8 000
CFL Downlight 2x13W	8 000
CFL Downlight 2x18W	8 000
CFL Downlight 2x26W	8 000
CFL Downlight 2x32W	8 000



Lucibel product	Lifetime (hours)	Energy savings	Lucibel reference (in Neutral White)
Downlight 11W	50 000	39%	LDL2F11BN120.ZG.DS
Downlight 14W	50 000	46%	LDL2F14BN120.ZG.DS
Downlight 19W	50 000	47%	LDL2F19BN120.ZG.DS
Downlight 27W	50 000	48%	LDL2F27120.ZG.DS
Downlight 36W	50 000	42%	LDL2F36BN120.ZG.DS



Fluorescent tube 3x18W	8 000
Fluorescent tube 4x18W	8 000
Fluorescent tube 2x36W	8 000



LuciPanel 60x60cm 30W	50 000	44%	LD2F30BN60x60.DS
LuciPanel 60x60cm 40W	50 000	44%	LD2F40BN60x60.DS
LuciPanel 120x30cm 40W	50 000	44%	LD2F40BN120x30.DS
LuciPanel 120x20cm 40W	50 000	44%	LD2F40BN120x20.DS



Waterproof light 2x18W	8 000
Waterproof light 2x36W	8 000
Waterproof light 2x58W	8 000



LuciPark 60cm 30W	50 000	21%	LSDS30BN60
LuciPark 120cm 30W	50 000	55%	LSDS30BN120
LuciPark 120cm 50W	50 000	56%	LSDS50BN120



Halogen Rail mounted spot 50W	2 000
Halogen Rail mounted spot 75W	2 000
Halogen Rail mounted spot 100W	2 000
Metal iodide rail mounted spot 20W	6 000



LuciTrack 10W	50 000	80%	LTL10NW15 LTL10NW40
LuciTrack 13W	50 000	83%	LTL13NW15 LTL13NW40
LuciTrack 17W	50 000	83%	LTL17NW15 LTL17NW40



Table of equivalences

Light fixtures

Current product	Lifetime (hours)
Cardanic-movement lighting fixtures 1x75W	2 000
Cardanic-movement lighting fixtures 2x75W	2 000
Cardanic-movement lighting fixtures 3x75W	2 000



Halogen light fixture AR111 75W	2 000
---------------------------------	-------



Mercury Highbay 80W	8 000
Metal iodide Highbay 70W	12 000
Sodium Highbay 70W	10 000
Mercury Highbay 125W	8 000
Metal iodide Highbay 150W	12 000
Sodium Highbay 100W	10 000
Metal iodide Highbay 150W	12 000
Sodium Highbay 150W	10 000
Mercury Highbay 250W	8 000
Metal iodide Highbay 250W	12 000
Sodium Highbay 250W	10 000
Mercury Highbay 400W	8 000
Metal iodide Highbay 400W	12 000
Sodium Highbay 400W	10 000



Halogen floodlight 50W	2 000
Halogen floodlight 100W	2 000
Metal iodide floodlight 35W	10 000
Metal iodide floodlight 70W	10 000
Metal iodide floodlight 100W	10 000
Metal iodide floodlight 150W	10 000



Lucibel Product	Lifetime (hours)	Energy savings	Lucibel reference (in Neutral White)
Cardanic-movement lighting fixtures 1xAR111 15W	50 000	79%	LGL15WWW.A25
Cardanic-movement lighting fixtures 2xAR111 15W	50 000	79%	LLGL30WWW.A25
Cardanic-movement lighting fixtures 3xAR111 15W	50 000	79%	LGL45WWW.A25


LuciSpot 15W 40°	50 000	79%	LLSO15NWWW.A40S
------------------	--------	-----	-----------------


LuciBay 50W 45°	30 000	until 38%	LHB50NW90
LuciBay 80W 90°	30 000	until 36%	LHB80NW90
LuciBay 100W 90°	30 000	until 33%	LHB100NW90
LuciBay 120W 90°	30 000	until 52%	LHB120NW90
LuciBay 200W 90°	30 000	until 50%	LHB200NW90


LuciFlood 10W	30 000	until 80%	LFL10NW90
LuciFlood 30W	30 000	until 70%	LFL30NW90
LuciFlood 50W	30 000		LFL50NW90
LuciFlood 80W	30 000		LFL80NW90
LuciFlood 100W	30 000		LFL100NW90
LuciFlood 120W	30 000	until 20%	LFL120NW90


Table of equivalences


Sources

	Current product	Lifetime (hours)
	Halogen source 35W GU5.3	2 000


	Halogen source 50W GU10	2 000
---	----------------------------	-------


	Halogen source 35W	2 000
---	-----------------------	-------


	Halogen light fixture 50W IP65	2 000
---	-----------------------------------	-------


	Halogen light fixture 35W IP65	2 000
--	-----------------------------------	-------

	Halogen light fixture 50W IP65	2 000
---	-----------------------------------	-------

	Fluorescent tube 60cm 18W	8 000
	Fluorescent tube 120cm 36W	8 000
	Fluorescent tube 150cm 58W	8 000

Lucibel product	Lifetime (hours)	Energy savings	Lucibel reference (in Neutral White)	
	LED 6.5W GU5.3 dimmable	30 000	81%	LGU6.5NW5.330I

	LED 6.5W GU10 dimmable	30 000	87%	LGU6.5NW10A30I
---	---------------------------	--------	-----	----------------

	Powerlight Eye Protection 6W	50 000	80%	LP6NW15EP.DS LP6NW40EP.DS
---	---------------------------------	--------	-----	------------------------------

	Powerlight Eye Protection 8W (with IP65 ring)	50 000	82%	LP8NW15EP.DS LP8NW40EP.DS
---	---	--------	-----	------------------------------

	Powerlight Eye Protection 6W (with IP65 ring)	50 000	80%	LP6NW15EP.DS LP6NW40EP.DS
--	---	--------	-----	------------------------------

	Powerlight Eye Protection 8W	50 000	82%	LP8NW15EP.DS LP8NW40EP.DS
---	---------------------------------	--------	-----	------------------------------

	LuciTube 60cm 11W Integrated driver	50 000	50%	LT8-11NW0600RI
	LuciTube 120cm 25W Integrated driver	50 000	50%	LT8-25NW1200RI
	LuciTube 150cm 30W Integrated driver	50 000	50%	LT8-30NW1500RI

Pictogram List



European Community Marking

RoHS

RoHS standard

LVD

«Low Voltage» Certification

EMC

«Electromagnetic Compatibility» Certification

PBS

«Photobiological Safety» Certification



Mercury-free



Built-in diameter

Lm

Lumens

WW, NW, CW

Colour temperature : Warm White, Neutral White, Cold White



Electric shock resistant



Protection Index



Beam angle



Glow wire test



Electrical Class 1



Electrical Class 2



Electrical Class 3

APPLICATIONS



Showroom



Education



Shop



Industry

Office



Outdoor Lighting



Hospitality



Healthcare



CATEGORIES



Light fixtures



Accessories

Sources



Drivers



Angle of aperture

The angle of diffusion of a light source indicates the angle that the latter is capable of lighting up. A narrow angle (for example 30°) lights up a limited surface and is useful for lighting small surfaces. Angles with greater diffusion are necessary to light up larger surfaces.

Base of light bulb

The base of a light bulb is the metal end piece that is fixed onto the shell. There are various types of end pieces available in several sizes.

Different types of caps: screw cap, bayonet cap, pin cap and dual connector caps.

CE marking

Indicates the conformity of a product with the European Directive requirements that apply to it.

Classes I, II, III

Classes of protection against electric shocks.

Classe 1 : the device features a functional isolation with an earthing terminal and equipotential connection. These equipment feature an earthing connection to which metal parts are connected ;

Classe 2 : the device features a reinforced isolation free of accessible metal parts. The plugs of class 2 equipment do not feature male earthing hook-up connectors ;

Classe 3 : the device works at a very low safety voltage (TBTS) (maximum 50V). The voltage drop must be attained with the help of a safety transformer, isolating the device through a safe galvanic isolation between the primary and the secondary.

Color temperature (Kelvin (K))

It characterizes the apparent color of light emitted by a light source. Expressed in Kelvin.

Color temperature is low for warm lights and high for cold lights. < 3300K: warm color; between 3300 and 5300K: neutral color; > 5300K: cold color.

DEEE

Waste from Electrical and Electronic Equipment (abbreviated as DEEE) is waste from equipment powered by electrical currents or electromagnetic fields, that is, any equipment that functions through an electrical power source, batteries or accumulators. Lighting therefrom makes part of it.

Electricity supply

Electricity supply denotes a set of systems that are capable of supplying electricity to devices working with this type of energy. Electricity supply has a number of characteristics that are a function of current, voltage and frequency.

Glow wire test

A test that allows observing the behavior of materials making up a lamp when exposed to high temperatures (650°, 750°, 850° and 960°). Measure of a lamp's resistance to fire.

LED recycling

The mandatory «crossed-out trash bin» symbol visible on lamp packaging since 2005 means that these may not be thrown away together with ordinary domestic waste.

Out-of-use LED lamps are classified as DEEE waste (Waste from electrical and electronic equipment).

A LED lamp is almost fully recyclable. Its main advantage as opposed to fluocompact bulbs is that it does not contain neither mercury nor fluorescent powder.

Used lamps can therefore be taken to supplier facilities, large retail outlets, hardware stores and wholesalers who provide «access-free» waste collection points, such as those dedicated to the collection of used batteries.

Out-of-use LED lighting devices can likewise be thrown away in landfills. Numerous local groups install used lamp collection points at landfills. Certain landfills also accept at no charge used lamps coming from professional installers.

Lifetime (of a lamp)

LED lifetime indicates the time at the end of which the LED device emits a luminous flux that is lower than 70% of the original flux. Each lifetime indicated on technical data sheets corresponds to operating conditions at 25°C

CRI (or Ra) : Color Rendering Index

This index defines the capacity of a lamp to maintain and not deform the chromatic aspect of the objects it illuminates. For example, sunlight has a CRI of 100. The index varies from 0 to 100 according to the following scale: CRI < 60: poor 60 < CRI < 80: correct CRI > 80: good 100: excellent.

Low Voltage Directive 73/23/CEE

European Directive that imposes a certain number of electrical safety rules associated with lamps (EN60598-1) (General Conditions), EN60598-2-1 (Fixed lighting for general use) and EN60598-2-2 (built-in lighting devices).

Lumen (lm)

Amount of light produced by a source: luminous flux.

Each luminous flux indicated on technical data sheets represents an output flux in lumens from a lamp.

Luminance (candela per square meter: cd/m²)

Light intensity produced or reflected by a given source. It allows appreciating the degree of glare.

Luminous efficacy (lumen per watt: lm/W)

Defines the capacity of a light source to produce good visible light from one electrical Watt (W) absorbed. The greater the luminous efficacy, the lower the electricity consumption of the lamp.

Lux (lx)

Amount of light reaching a surface; lighting of such surface

PI, Protection Index

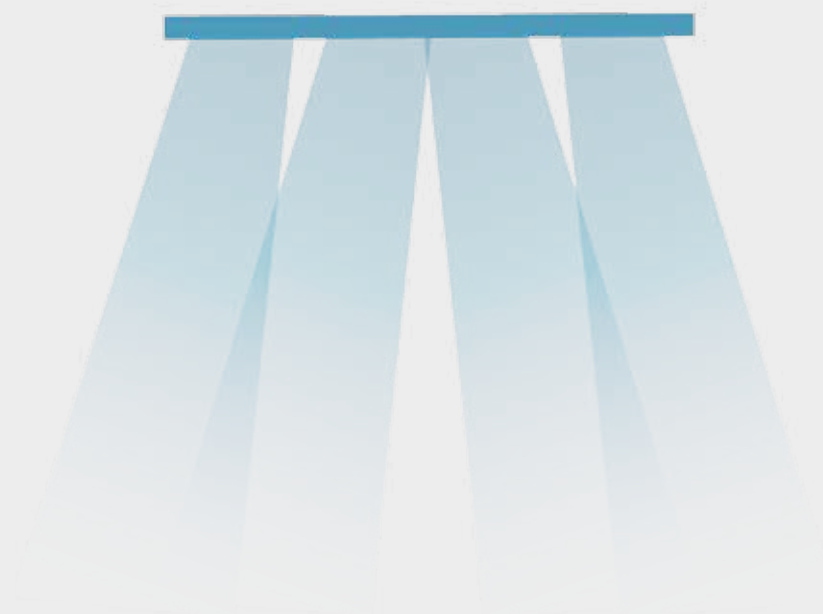
The PI index indicates the degree of protection against solid bodies (1st digit indicates an increasing scale of protection from 0 to 6) and water penetration (2nd digit indicates an increasing scale of protection from 0 to 8).

RoHS Directive 2006/95/CE

The RoHS European Directive (Restriction in the use of Dangerous Substances in electrical and electronic equipment) limits the use of certain dangerous substances in electrical and electronic equipment such as lead, mercury, cadmium, hexavalent chromium, polybromobiphenyls (PBB) and polybromodiphenylether (PBDE).

Watt (W)

Electrical power unit. The power consumed during a certain period of time represents the energy used.



Light fixtures

Downlight

11W 120°



Downlight



960°

120°

IP20

IP44

IK02



- Ideal for ambiance lighting and compact fluorescent downlights replacement
- Lifespan: 50,000 hours
- Easy recessed installation in wall
- Small recess depth and quick connector
- Unlimited number of ignition / extinction cycles
- Instant start

Product References

			KELVINS	LUMENS
IP20	LDL2F11BC120.ZG.DS	3 760 179 403 749	WW : 2800 K	625 Lm
	LDL2F11BN120.ZG.DS	3 760 179 403 756	NW : 4000 K	750 Lm
	LDL2F11BF120.ZG.DS	3 760 179 403 763	CW : 6000 K	912 Lm
IP44	LDL2F11BCIP44.DS	3 760 179 404 050	WW : 2800 K	625 Lm
	LDL2F11BNIP44.DS	3 760 179 404 067	NW : 4000 K	750 Lm
	LDL2F11BFIP44.DS	3 760 179 404 074	CW : 6000 K	912 Lm

Driver non included

Office Bureau	Shop Commerce	Hospitality Café, Hôtel & Restaurant	Education Education
Healthcare Santé	Industry Industrie	Showroom Espace d'exposition	Outdoor Lighting Eclairage extérieur

Characteristics

Type	Recessed lighting
Number of LED	125
CRI	85

Power consumption

11W

13W with driver

Intensity (constant current)

700 mA

Certifications



LVD EN 60598 - 1
EN 60598-2-2

EMC EN 61547 ; EN 61000-3-2
EN 61000-3-3 ; EN 55015

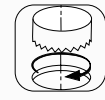
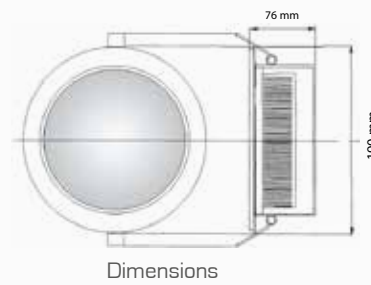
PBS EN 62471

RoHS

Driver

- Sold separately. Compatible with:
 - Driver standard STD002
 - Driver dimmable DIM002
 - Driver DALI DAL003

Measures



IP20 : Ø 175mm
IP44 : Ø 178mm



0,9kg
Weight

Environmental profile

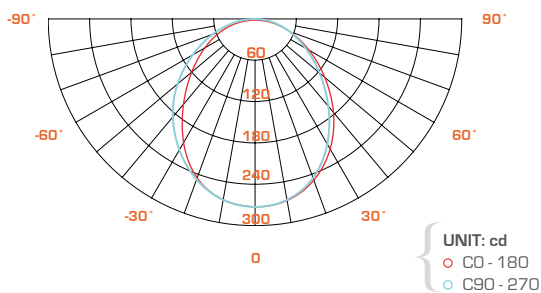


Materials

Aluminium
Ring : Zamak
Frosted glass

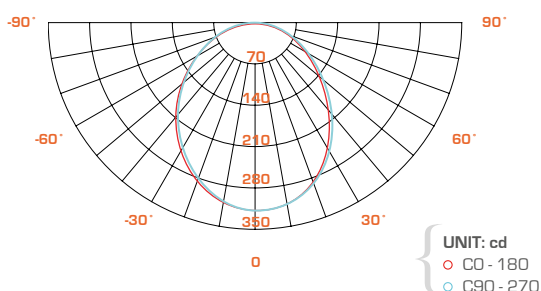
Luminous intensity distribution diagram & illuminance

Warm White

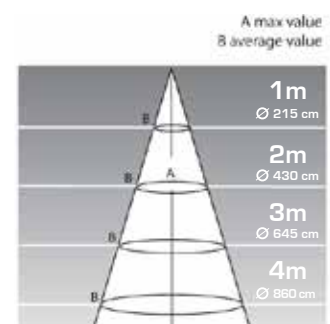


	A (lux)	B (lux)
1m	272	111
2m	68	27
3m	30	12
4m	17	7

Neutral White



	A (lux)	B (lux)
1m	320	127
2m	80	31
3m	35	14
4m	20	7



Downlight

14W 120°



Downlight



960°



IP20

IP44

IK02



- Ideal for ambiance lighting and compact fluorescent downlights replacement
- Lifespan: 50,000 hours
- Easy recessed installation in wall
- Small recess depth and quick connector
- Unlimited number of ignition / extinction cycles
- Instant start

Product References

			KELVINS	LUMENS
IP20	LDL2F14BC120.ZG.DS	3 760 179 403 770	WW : 2800 K	765 Lm
	LDL2F14BN120.ZG.DS	3 760 179 403 787	NW : 4000 K	905 Lm
	LDL2F14BF120.ZG.DS	3 760 179 403 794	CW : 6000 K	1085 Lm
IP44	LDL2F14BCIP44.DS	3 760 179 404 081	WW : 2800 K	765 Lm
	LDL2F14BNIP44.DS	3 760 179 404 098	NW : 4000 K	905 Lm
	LDL2F14BFIP44.DS	3 760 179 404 104	CW : 6000 K	1085 Lm

Driver non included

Office Bureau	Shop Commerce	Hospitality Café, Hôtel & Restaurant	Education Education
Healthcare Santé	Industry Industrie	Showroom Espace d'exposition	Outdoor Lighting Eclairage extérieur

Characteristics

Type	Recessed lighting
Number of LED	150
CRI	85

Power consumption

14W

16W with driver

Intensity (constant current)

700 mA

Certifications



LVD EN 60598 - 1
EN 60598-2-2

EMC EN 61547 ; EN 61000-3-2
EN 61000-3-3 ; EN 55015

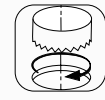
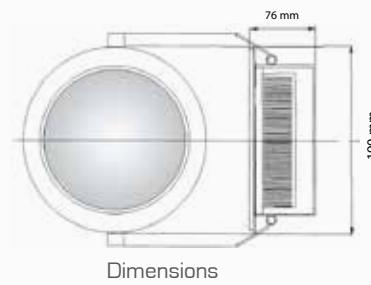
PBS EN 62471

RoHS

Driver

- Sold separately. Compatible with:
 - Driver standard STD002
 - Driver dimmable DIM002
 - Driver DALI DAL003

Measures



IP20 : Ø 175mm
IP44 : Ø 178mm



Weight

Environmental profile

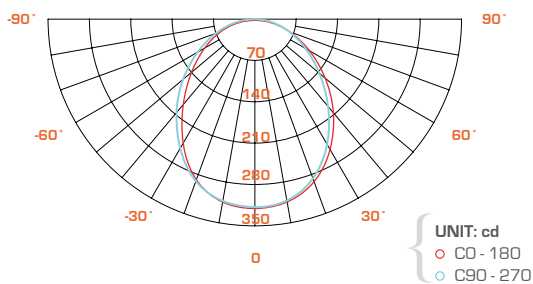


Materials

Aluminium
Ring : Zamak
Frosted glass

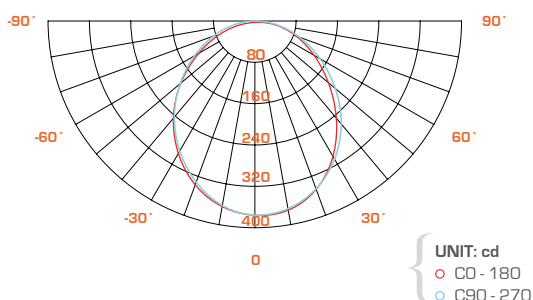
Luminous intensity distribution diagram & illuminance

Warm White

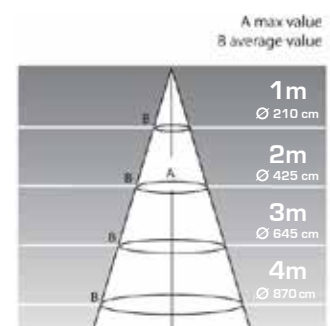


	A (lux)	B (lux)
1m	335	139
2m	83	34
3m	37	15
4m	20	8

Neutral White



	A (lux)	B (lux)
1m	385	153
2m	96	38
3m	42	17
4m	24	9



Downlight

19W 120°



Downlight



960°

120°

IP20

IP44

IK02



- Ideal for ambiance lighting and compact fluorescent downlights replacement
- Lifespan: 50,000 hours
- Easy recessed installation in wall
- Small recess depth and quick connector
- Unlimited number of ignition / extinction cycles
- Instant start

Product References

			KELVINS	LUMENS
IP20	LDL2F19BC120.ZG.DS	3 760 179 403 800	WW : 2800 K	1110 Lm
	LDL2F19BN120.ZG.DS	3 760 179 403 817	NW : 4000 K	1340 Lm
	LDL2F19BF120.ZG.DS	3 760 179 403 824	CW : 6000 K	1480 Lm
IP44	LDL2F19BCIP44.DS	3 760 179 404 111	WW : 2800 K	1110 Lm
	LDL2F19BNIP44.DS	3 760 179 404 128	NW : 4000 K	1340 Lm
	LDL2F19BFIP44.DS	3 760 179 404 135	CW : 6000 K	1480 Lm

Driver non included

 Office Bureau	 Shop Commerce	 Hospitality Café, Hôtel & Restaurant	 Education Education
 Healthcare Santé	 Industry Industrie	 Showroom Espace d'exposition	 Outdoor Lighting Eclairage extérieur

Characteristics

Type	Recessed lighting
Number of LED	200
CRI	85

Power consumption

19W

23W with driver

Intensity (constant current)

700 mA

Certifications



LVD EN 60598 - 1
EN 60598-2-2

EMC EN 61547 ; EN 61000-3-2
EN 61000-3-3 ; EN 55015

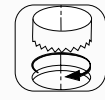
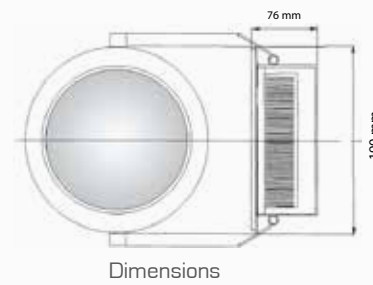
PBS EN 62471

RoHS

Driver

- Sold separately. Compatible with:
 - Driver standard STD003, STD004
 - Driver dimmable DIM002
 - Driver DALI DAL003

Measures



IP20 : Ø 175mm
IP44 : Ø 178mm



Weight

Environmental profile

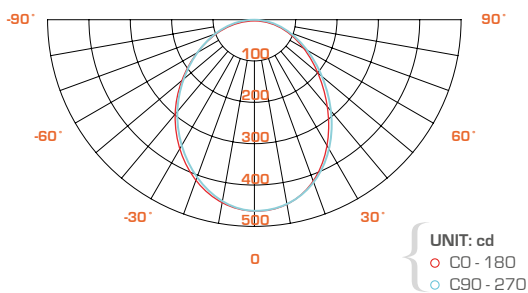


Materials

Aluminium
Ring : Zamak
Frosted glass

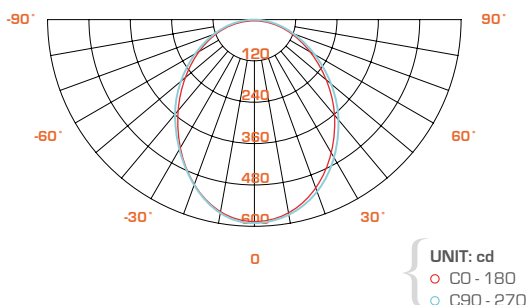
Luminous intensity distribution diagram & illuminance

Warm White

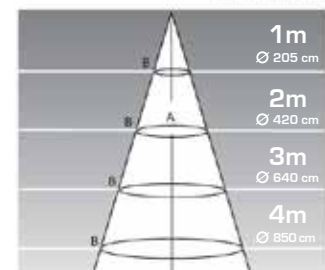


	A (lux)	B (lux)
1m	473	192
2m	118	48
3m	52	21
4m	29	12

Neutral White



	A (lux)	B (lux)
1m	595	252
2m	148	63
3m	66	28
4m	37	15



Downlight

27W 120°



Downlight



960°

120°

IP20

IP44

IK02



- Ideal for ambiance lighting and compact fluorescent downlights replacement
- Lifespan: 50,000 hours
- Easy recessed installation in wall
- Small recess depth and quick connector
- Unlimited number of ignition / extinction cycles
- Instant start

Product References

			KELVINS	LUMENS
IP20	LDL2F27BC120.ZG.DS	3 760 179 403 831	WW : 2800 K	1500 Lm
	LDL2F27BN120.ZG.DS	3 760 179 403 848	NW : 4000 K	1660 Lm
	LDL2F27BF120.ZG.DS	3 760 179 403 855	CW : 6000 K	1710 Lm
IP44	LDL2F27BCIP44	3 760 179 404 142	WW : 2800 K	1500 Lm
	LDL2F27BNIP44	3 760 179 404 159	NW : 4000 K	1660 Lm
	LDL2F27BFIP44	3 760 179 404 166	CW : 6000 K	1710 Lm

Driver non included

Office Bureau	Shop Commerce	Hospitality Café, Hôtel & Restaurant	Education Education
Healthcare Santé	Industry Industrie	Showroom Espace d'exposition	Outdoor Lighting Eclairage extérieur

Characteristics

Type	Recessed lighting
Number of LED	250
CRI	85

Power consumption

25W

26W with driver

Intensity (constant current)

700 mA

Certifications



LVD EN 60598 - 1
EN 60598-2-2

EMC EN 61547 ; EN 61000-3-2
EN 61000-3-3 ; EN 55015

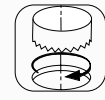
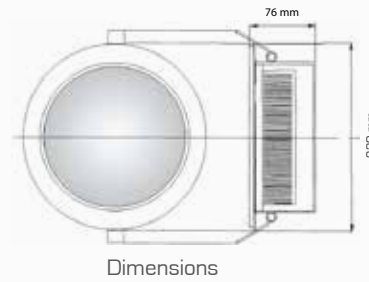
PBS EN 62471

RoHS

Driver

- Sold separately. Compatible with:
 - Driver standard STD004
 - Driver dimmable DIM003
 - Driver DALI DAL003

Measures



IP20 : Ø 215mm
IP44 : Ø 215mm



1,3kg
Weight

Environmental profile

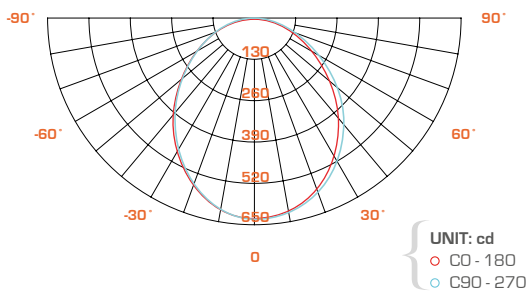


Materials

Aluminium
Ring : Zamak
Frosted glass

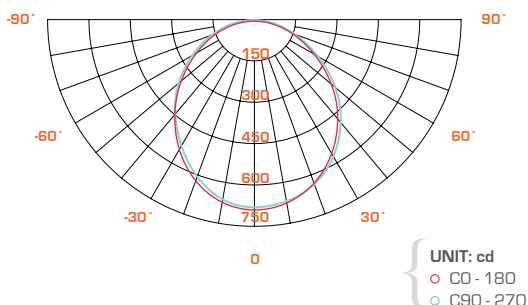
Luminous intensity distribution diagram & illuminance

Warm White

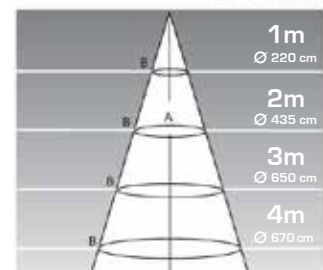


	A (lux)	B (lux)
1m	638	258
2m	159	64
3m	70	28
4m	39	16

Neutral White



	A (lux)	B (lux)
1m	710	275
2m	177	68
3m	78	30
4m	44	17



A max value
B average value

Downlight

36W 120°



Downlight



960°

120°

IP20

IP44

IK02



- Ideal for ambiance lighting and compact fluorescent downlights replacement
- Lifespan: 50,000 hours
- Easy recessed installation in wall
- Small recess depth and quick connector
- Unlimited number of ignition / extinction cycles
- Instant start

Product References

			KELVINS	LUMENS
IP20	LDL2F36BC120.ZG.DS	3 760 179 403 862	WW : 2800 K	2200 Lm
	LDL2F36BN120.ZG.DS	3 760 179 403 879	NW : 4000 K	2380 Lm
	LDL2F36BF120.ZG.DS	3 760 179 403 886	CW : 6000 K	2400 Lm
IP44	LDL2F36BCIP44.DS	3 760 179 404 173	WW : 2800 K	2200 Lm
	LDL2F36BNIP44.DS	3 760 179 404 180	NW : 4000 K	2380 Lm
	LDL2F36BFIP44.DS	3 760 179 404 197	CW : 6000 K	2400 Lm

Driver non included

Office Bureau	Shop Commerce	Hospitality Café, Hôtel & Restaurant	Education Education
Healthcare Santé	Industry Industrie	Showroom Espace d'exposition	Outdoor Lighting Eclairage extérieur

Characteristics

Type	Recessed lighting
Number of LED	375
CRI	85

Power consumption

36W

39W

with driver

Intensity (constant current)

700 mA

Certifications



LVD EN 60598 - 1
EN 60598-2-2

EMC EN 61547 ; EN 61000-3-2
EN 61000-3-3 ; EN 55015

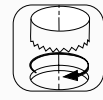
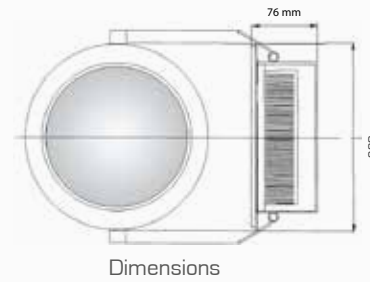
PBS EN 62471

RoHS

Driver

- Sold separately. Compatible with:
 - Driver standard STD005
 - Driver dimmable DIM003
 - Driver DALI DAL003

Measures



IP20 : Ø 215mm
IP44 : Ø 215mm



1.3kg
Weight

Environmental profile



50,000hrs



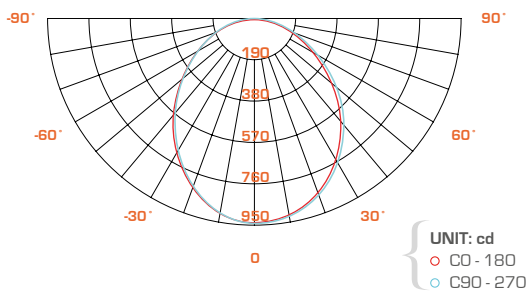
FREE
Mercury

Materials

Aluminium
Ring : Zamak
Frosted glass

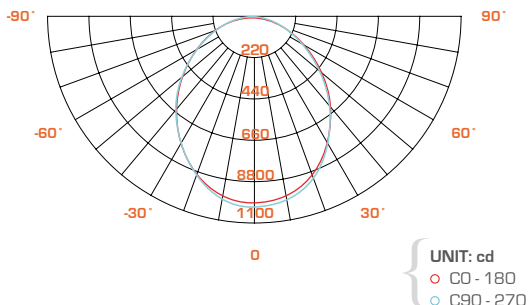
Luminous intensity distribution diagram & illuminance

Warm White



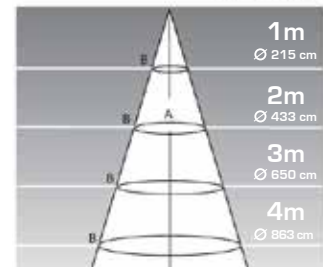
	A (lux)	B (lux)
1m	946	381
2m	236	95
3m	105	42
4m	59	23

Neutral White



	A (lux)	B (lux)
1m	1011	408
2m	252	102
3m	112	45
4m	63	25

A max value
B average value



LuciPanel

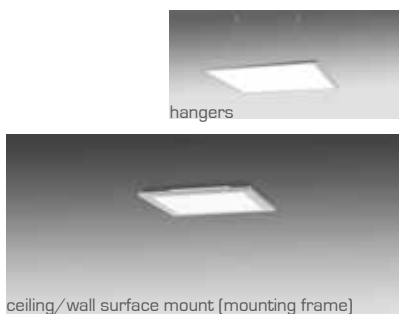
10W 300x300mm



LuciPanel



- 960°
- 120°
- IP40
- IK02



- Ideal for ambiance lighting and compact fluorescent tubes replacement
- Lifespan: 50,000 hours
- Built-in fastening and STAFF ceiling fastening (placo BA13), surface mounted or hung from surface
- The thinnest panel on the market: 10mm
- Available through orders of 5500lm with a power rating of 70W for applications that are to be installed at height
- Unlimited number of ignition / extinction cycles
- Instant start

Product References

		KELVINS	LUMENS
LD2F10BC30X30.DS	3 760 179 404 531	WW : 2800 K	735 Lm
LD2F10BN30X30.DS	3 760 179 404 548	NW : 4000 K	815 Lm
LD2F10BF30X30.DS	3 760 179 404 777	CW : 6000 K	900 Lm

Driver non included

Office Bureau	Shop Commerce	Hospitality Café, Hôtel & Restaurant	Education Education
Healthcare Santé	Industry Industrie	Showroom Espace d'exposition	Outdoor Lighting Eclairage extérieur

Characteristics

Type	Panel
Number of LED	132
CRI	85

Power consumption

13W

15W with driver

Intensity (constant current)

310 mA

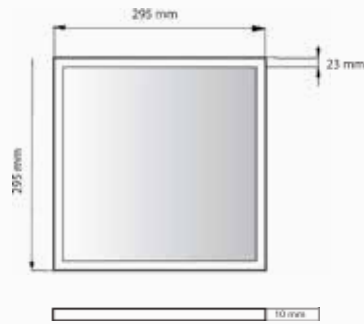
Certifications



EMC EN 61547
EN 61000-3-2
EN 61000-3-3
EN 55015
PBS EN 62471

RoHS

Measures



Dimensions



0.9kg Weight

Environmental profile



Driver

- Sold separately. Compatible with:
 - Driver standard STD009
 - Driver dimmable DIM003
 - Driver DALI DAL003

Materials

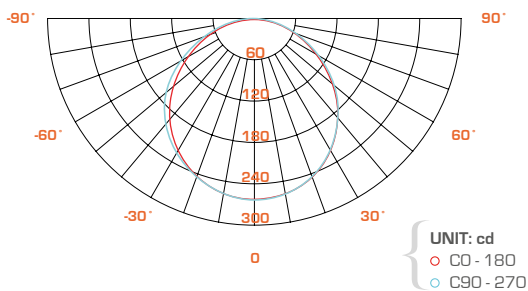
Aluminium
Diffuser : Polycarbonate

Accessories

- Mounting frame CDL30X30
- Staff fitting frame CBAL30X30
- Suspension cables F2BYDL

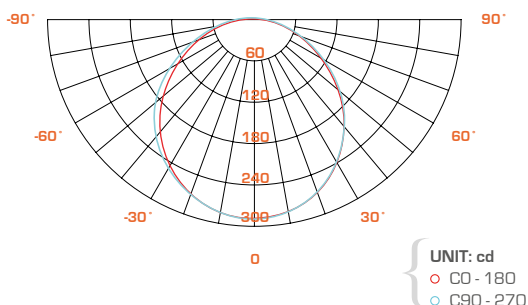
Luminous intensity distribution diagram & illuminance

Warm White

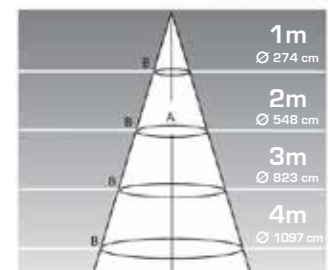


	A (lux)	B (lux)
1m	264	87
2m	66	21
3m	29	9
4m	16	5

Neutral White



	A (lux)	B (lux)
1m	291	91
2m	72	23
3m	32	10
4m	18	5



LuciPanel

20W 300x300mm



LuciPanel

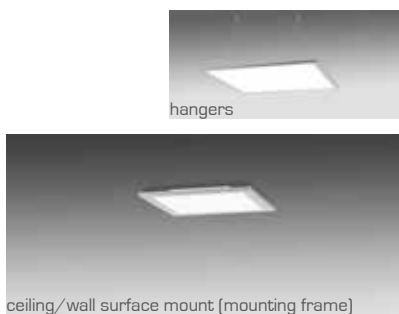


960°

120°

IP40

IK02



- Ideal for ambiance lighting and compact fluorescent tubes replacement
- Lifespan: 50,000 hours
- Built-in fastening and STAFF ceiling fastening (placo BA13), surface mounted or hung from surface
- The thinnest panel on the market: 10mm
- Unlimited number of ignition / extinction cycles
- Available on order in Warm White and Cold White
- Instant start

Product References

		KELVINS	LUMENS
LD2F20WW30X30.DS	on order	WW: 2800 K	1474 Lm
LD2F20NW30X30.DS	3 760 179 405 903	NW: 4000 K	
LD2F20CW30X30.DS	on order	CW: 6000 K	

Driver non included

Office Bureau	Shop Commerce	Hospitality Café, Hôtel & Restaurant	Education Education
Healthcare Santé	Industry Industrie	Showroom Espace d'exposition	Outdoor Lighting Eclairage extérieur

Characteristics

Type	Panel
Number of LED	48
CRI	85

Power consumption

17W

21W with driver

Intensity (constant current)

700 mA

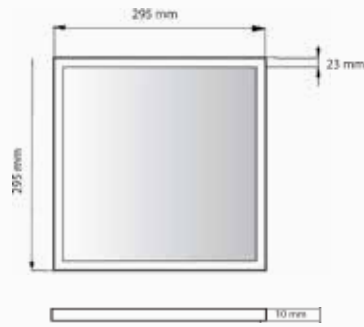
Certifications



EMC EN 61547
EN 61000-3-2
EN 61000-3-3
EN 55015
PBS EN 62471

RoHS

Measures



Dimensions



0,9kg Weight

Environmental profile



Driver

- Sold separately. Compatible with:
 - Standard driver STD010
 - Dimmable driver DIM003
 - DALI driver DAL003

Materials

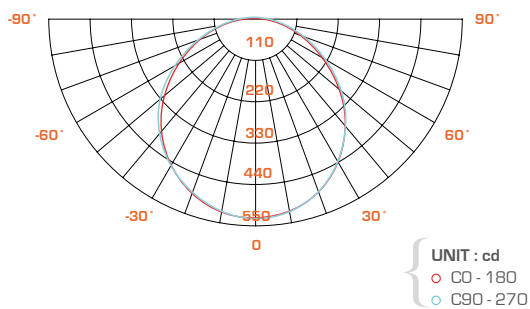
Aluminium
Diffuser : Polycarbonate

Accessories

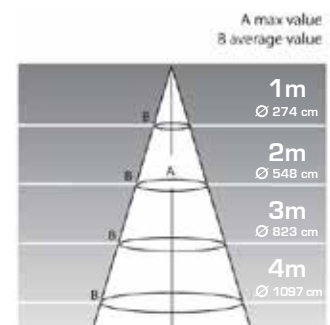
- Mounting frame CDL30X30
- Staff fitting frame CBAL30X30
- Suspension cables F2BYDL

Luminous intensity distribution diagram & illuminance

Neutral White



	A [lux]	B [lux]
1m	526	174
2m	131	43
3m	58	19
4m	32	11



LuciPanel

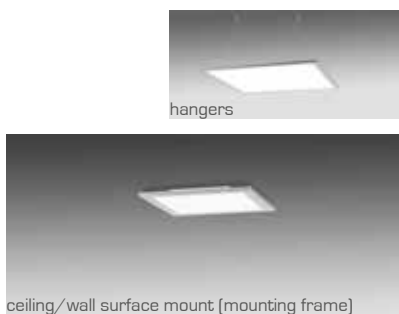
28W 600x300mm



LuciPanel



- 960°
- 120°
- IP40
- IK02



- Ideal for ambiance lighting and compact fluorescent tubes replacement
- Lifespan: 50,000 hours
- Built-in fastening, surface mounted or hung from surface
- The thinnest panel on the market: 10mm
- Unlimited number of ignition / extinction cycles
- Available on order in Warm White and Cold White
- Instant start

Product References

		KELVINS	LUMENS
LD2F28WW60X30.DS	on order	WW : 2800 K	2250 Lm
LD2F28NW60X30.DS	3 760 179 405 910	NW : 4000 K	
LD2F28CW60X30.DS	on order	CW : 6000 K	

Driver non included

Office Bureau	Shop Commerce	Hospitality Café, Hôtel & Restaurant	Education Education
Healthcare Santé	Industry Industrie	Showroom Espace d'exposition	Outdoor Lighting Eclairage extérieur

Characteristics

Type	Panel
Number of LED	250
CRI	85

Power consumption

28W

30W with driver

Intensity (constant current)

700 mA

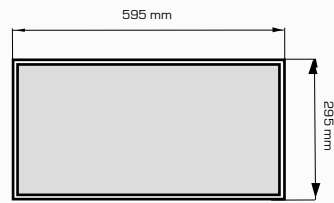
Certifications



EMC EN 61547
EN 61000-3-2
EN 61000-3-3
EN 55015
PBS EN 62471

RoHS

Measures



Dimensions



2kg

Weight

Environmental profile



Driver

- Sold separately. Compatible with:
 - Standard driver STD008
 - Dimmable driver DIM003
 - DALI driver DAL003

Materials

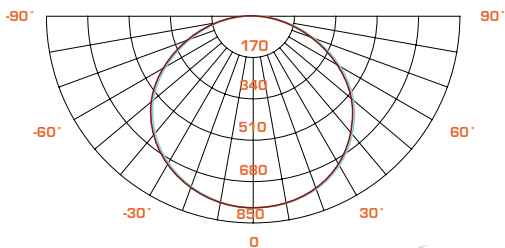
Aluminium
Diffuser : Polycarbonate

Accessories

- Mounting frame CDL30X30
- Suspension cables F2BYDL

Luminous intensity distribution diagram & illuminance

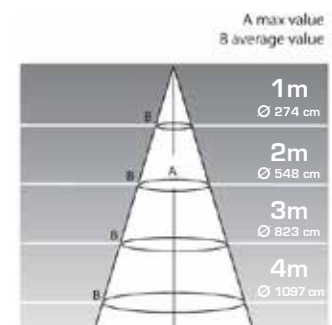
Neutral White



Average angle (50%) : 111,1°

UNIT : cd
○ CD - 180
○ C90 - 270

	A (lux)	B (lux)
1m	801	260
2m	200	65
3m	89	29
4m	50	16



LuciPanel

20W 600x600mm



LuciPanel



960°

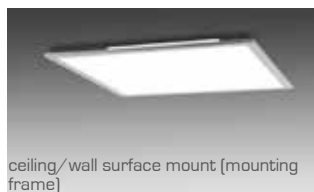
120°

IP40

IK02



hangers



ceiling/wall surface mount (mounting frame)

- Ideal for ambiance lighting and compact fluorescent tubes replacement
- Lifespan: 50,000 hours
- Built-in fastening and STAFF type ceiling fastening (Placo BA13), watertight with a double IP65 frame, surface mounted or hung from surface
- The thinnest panel on the market: 10mm
- Unlimited number of ignition / extinction cycles
- Instant start

Product References

		KELVINS	LUMENS
LD2F20BC60X60.DS	3 760 179 404 719	WW : 2800 K	1325 Lm
LD2F20BN60X60.DS	3 760 179 404 562	NW : 4000 K	1420 Lm
LD2F20BF60X60.DS	3 760 179 404 784	CW : 6000 K	1465 Lm

Driver non included

Office Bureau	Shop Commerce	Hospitality Café, Hôtel & Restaurant	Education Education
Healthcare Santé	Industry Industrie	Showroom Espace d'exposition	Outdoor Lighting Eclairage extérieur

Characteristics

Type	Panel
Number of LED	184
CRI	85

Power consumption

19W

22W with driver

Intensity (constant current)

700 mA

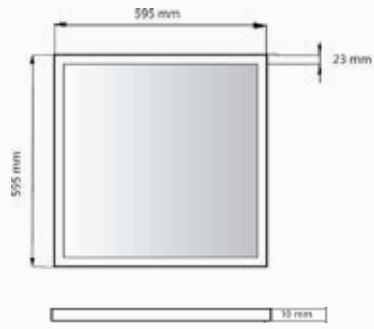
Certifications



EMC EN 61547
EN 61000-3-2
EN 61000-3-3
EN 55015
PBS EN 62471

RoHS

Measures



Dimensions



3.9kg Weight

Environmental profile



Driver

- Sold separately. Compatible with:
 - Driver standard STD010
 - Driver dimmable DIM003
 - Driver DALI DAL003

Materials

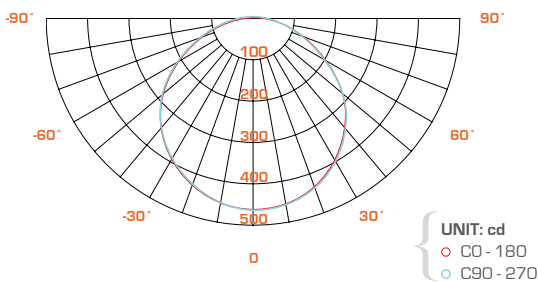
Aluminium
Diffuser : Polycarbonate

Accessories

- Mounting frame CDL60X60
- Staff fitting frame CBAL60X60
- IP65 frame CIP656060
- Suspension cables F2BYDL

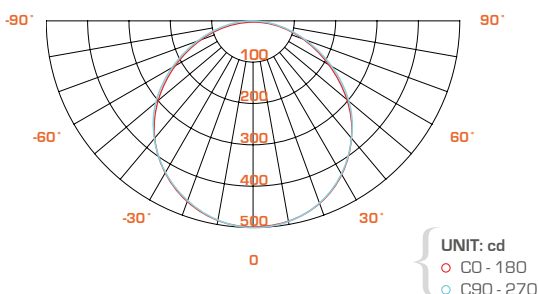
Luminous intensity distribution diagram & illuminance

Warm White

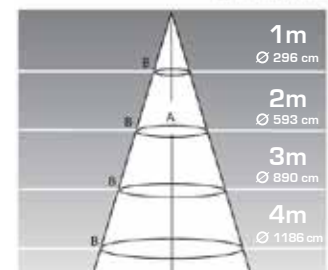


	A (lux)	B (lux)
1m	463	139
2m	115	34
3m	51	15
4m	28	8

Neutral White



	A (lux)	B (lux)
1m	496	145
2m	124	36
3m	55	16
4m	31	9



LuciPanel

30W 600x600mm



LuciPanel



960°

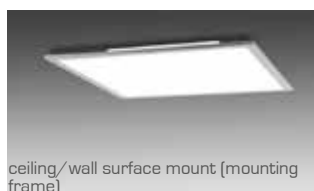
120°

IP40

IK02



hangers



ceiling/wall surface mount (mounting frame)

- Ideal for ambiance lighting and compact fluorescent tubes replacement
- Lifespan: 50,000 hours
- Built-in fastening and STAFF type ceiling fastening (Placo BA13), watertight with a double IP65 frame, surface mounted or hung from surface
- The thinnest panel on the market: 10mm
- Unlimited number of ignition / extinction cycles
- Instant start

Product References

		KELVINS	LUMENS
LD2F30BC60X60.DS	3 760 179 404 579	WW : 2800 K	2270 Lm
LD2F30BN60X60.DS	3 760 179 404 586	NW : 4000 K	2320 Lm
LD2F30BF60X60.DS	3 760 179 404 791	CW : 6000 K	2565 Lm

Driver non included

 Office Bureau	 Shop Commerce	 Hospitality Café, Hôtel & Restaurant	 Education Education
 Healthcare Santé	 Industry Industrie	 Showroom Espace d'exposition	 Outdoor Lighting Eclairage extérieur

Characteristics

Type	Panel
Number of LED	300
CRI	85

Power consumption

28W

31W with driver

Intensity (constant current)

700 mA

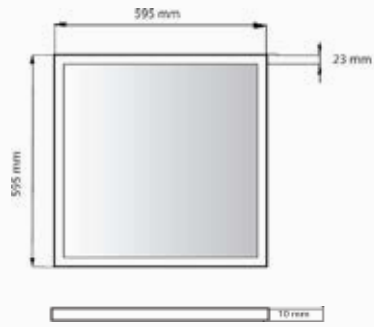
Certifications



EMC EN 61547
EN 61000-3-2
EN 61000-3-3
EN 55015
PBS EN 62471

RoHS

Measures



Dimensions



3.9kg Weight

Environmental profile



Driver

- Sold separately. Compatible with:
 - Driver standard STD008
 - Driver dimmable DIM003
 - Driver DALI DAL003

Materials

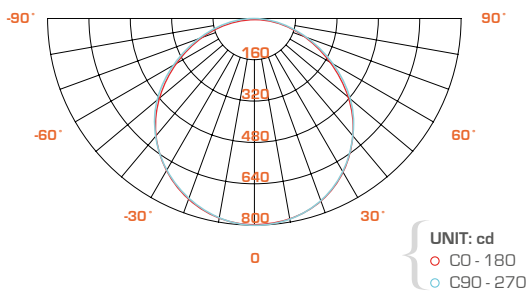
Aluminium
Diffuser : Polycarbonate

Accessories

- Mounting frame CDL60X60
- Staff fitting frame CBAL60X60
- IP65 frame CIP656060
- Suspension cables F2BYDL

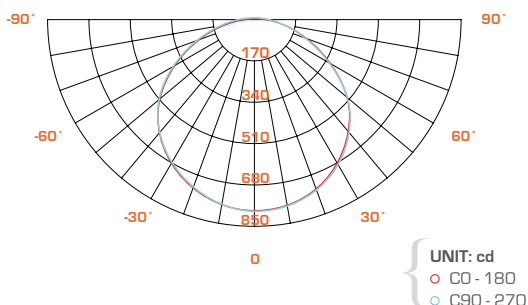
Luminous intensity distribution diagram & illuminance

Warm White

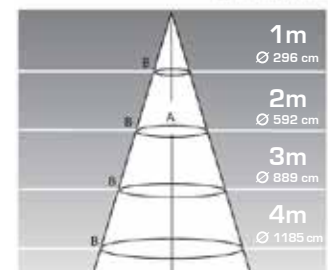


	A (lux)	B (lux)
1m	794	239
2m	198	59
3m	88	26
4m	49	14

Neutral White



	A (lux)	B (lux)
1m	811	244
2m	202	61
3m	90	27
4m	50	15



LuciPanel

40W 600x600mm



LuciPanel



960°

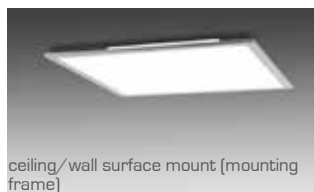
120°

IP40

IK02



hangers



ceiling/wall surface mount (mounting frame)

- Ideal for ambiance lighting and compact fluorescent tubes replacement
- Lifespan: 50,000 hours
- Built-in fastening and STAFF type ceiling fastening (Placo BA13), watertight with a double IP65 frame, surface mounted or hung from surface
- The thinnest panel on the market: 10mm
- Unlimited number of ignition / extinction cycles
- Instant start

Product References

		KELVINS	LUMENS
LD2F40BC60X60.DS	3 760 179 404 593	WW : 2800 K	3000 Lm
LD2F40BN60X60.DS	3 760 179 404 609	NW : 4000 K	3150 Lm
LD2F40BF60X60.DS	3 760 179 404 807	CW : 6000 K	3590 Lm

Driver non included

 Office Bureau	 Shop Commerce	 Hospitality Café, Hôtel & Restaurant	 Education Education
 Healthcare Santé	 Industry Industrie	 Showroom Espace d'exposition	 Outdoor Lighting Eclairage extérieur

Characteristics

Type	Panel
Number of LED	400
CRI	85

Power consumption

38W

43W with driver

Intensity (constant current)

700 mA

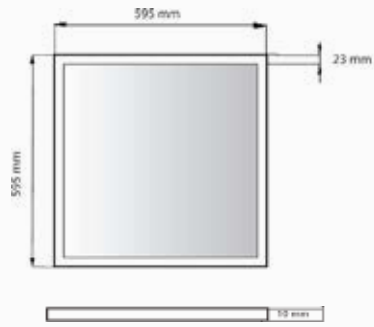
Certifications



EMC EN 61547
EN 61000-3-2
EN 61000-3-3
EN 55015
PBS EN 62471

RoHS

Measures



Dimensions



3,9kg Weight

Environmental profile



Driver

- Sold separately. Compatible with:
 - Driver standard STD008
 - Driver dimmable DIM003
 - Driver DALI DAL003

Materials

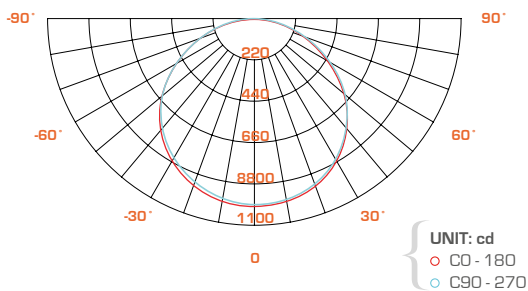
Aluminium
Diffuser : Polycarbonate

Accessories

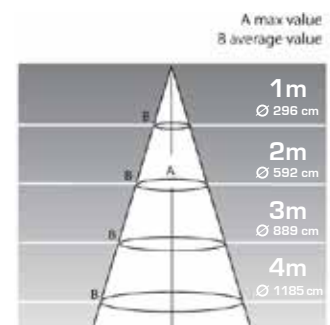
- Mounting frame CDL60X60
- Staff fitting frame CBAL60X60
- IP65 frame CIP656060
- Suspension cables F2BYDL

Luminous intensity distribution diagram & illuminance

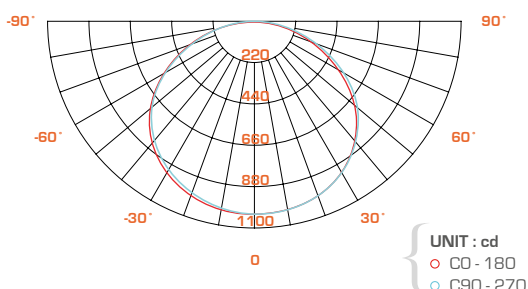
Warm White



	A (lux)	B (lux)
1m	1044	314
2m	260	78
3m	116	34
4m	65	19



Neutral White



	A (lux)	B (lux)
1m	1094	324
2m	274	81
3m	122	36
4m	68	20

LuciPanel

40W 675x675mm



LuciPanel



960°

120°

IP40

IK02



hangers


- Ideal for ambiance lighting and compact fluorescent tubes replacement
- Lifespan: 50,000 hours
- Built-in fastening or hung from surface
- The thinnest panel on the market: 10mm
- Unlimited number of ignition / extinction cycles
- Instant start

remote mounting frame

Product References

		KELVINS	LUMENS
LD2F40BC67X67.DS	3 760 179 404 616	WW : 2800 K	2800 Lm
LD2F40BN67X67.DS	3 760 179 404 623	NW : 4000 K	3100 Lm
LD2F40BF67X67.DS	3 760 179 404 814	CW : 6000 K	3430 Lm

Driver non included

 Office Bureau	 Shop Commerce	 Hospitality Café, Hôtel & Restaurant	 Education Education
 Healthcare Santé	 Industry Industrie	 Showroom Espace d'exposition	 Outdoor Lighting Eclairage extérieur

Characteristics

Type	Panel
Number of LED	400
CRI	85

Power consumption

38W

41W with driver

Intensity (constant current)

700 mA

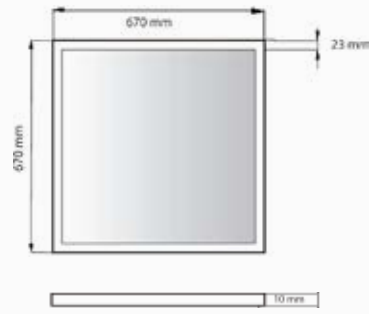
Certifications



EMC EN 61547
EN 61000-3-2
EN 61000-3-3
EN 55015
PBS EN 62471

RoHS

Measures



Dimensions



3,9kg Weight

Environmental profile



Driver

- Sold separately. Compatible with:
 - Driver standard STD008
 - Driver dimmable DIM003
 - Driver DALI DAL003

Materials

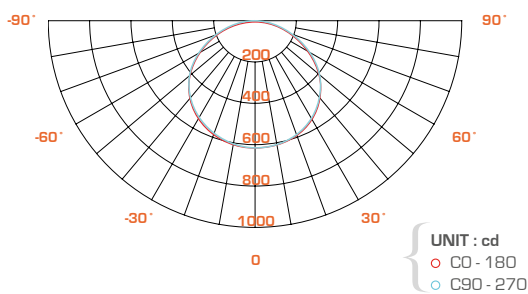
Aluminium
Diffuser : Polycarbonate

Accessories

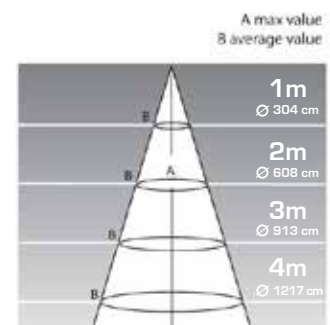
- Suspension cables F2BYDL

Luminous intensity distribution diagram & illuminance

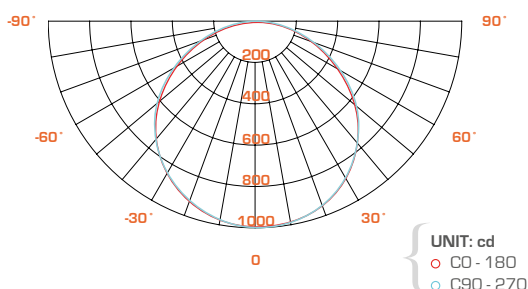
Warm White



	A (lux)	B (lux)
1m	609	252
2m	152	63
3m	68	28
4m	38	16



Neutral White



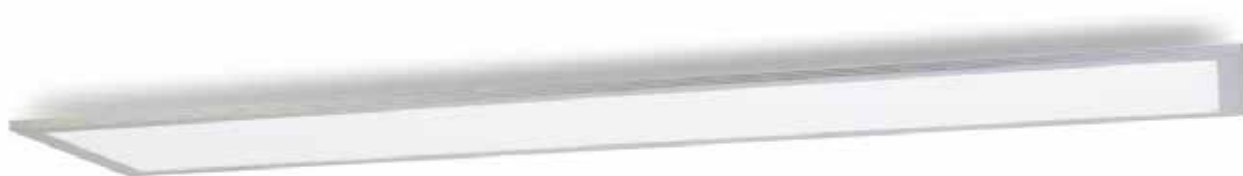
	A (lux)	B (lux)
1m	987	283
2m	246	70
3m	109	31
4m	61	17

LuciPanel

40W 1200x300mm



LuciPanel

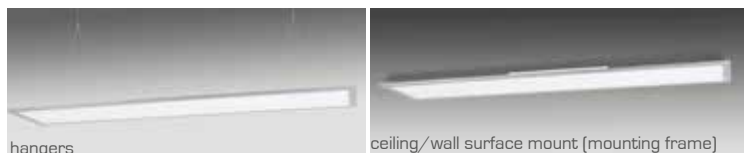


960°

120°

IP40

IK02



hangers

ceiling/wall surface mount (mounting frame)

- Ideal for ambiance lighting and compact fluorescent tubes replacement
- Lifespan: 50,000 hours
- Built-in fastening and STAFF ceiling fastening (placo BA13), surface mounted or hung from surface
- The thinnest panel on the market: 10mm
- Available through orders of 5500lm with a power rating of 70W for applications that are to be installed at height
- Unlimited number of ignition / extinction cycles
- Instant start

Product References

		KELVINS	LUMENS
LD2F40BC120X30.DS	3 760 179 404 630	WW : 2800 K	3100 Lm
LD2F40BN120X30.DS	3 760 179 404 647	NW : 4000 K	3350 Lm
LD2F40BF120X30.DS	3 760 179 404 654	CW : 6000 K	3710 Lm

Driver non included

 Office Bureau	 Shop Commerce	 Hospitality Café, Hôtel & Restaurant	 Education Education
 Healthcare Santé	 Industry Industrie	 Showroom Espace d'exposition	 Outdoor Lighting Eclairage extérieur

Characteristics

Type	Panel
Number of LED	450
CRI	85

Power consumption

41W

46W with driver

Intensity (constant current)

700 mA

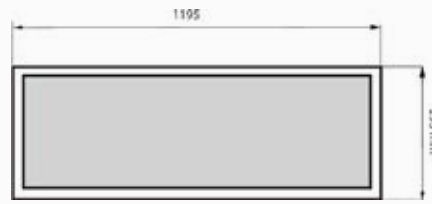
Certifications



EMC EN 61547
EN 61000-3-2
EN 61000-3-3
EN 55015
PBS EN 62471

RoHS

Measures



Dimensions



4kg

Weight

Environmental profile



Driver

- Sold separately. Compatible with:
 - Driver standard STD008
 - Driver dimmable DIM003
 - Driver DALI DAL003

Materials

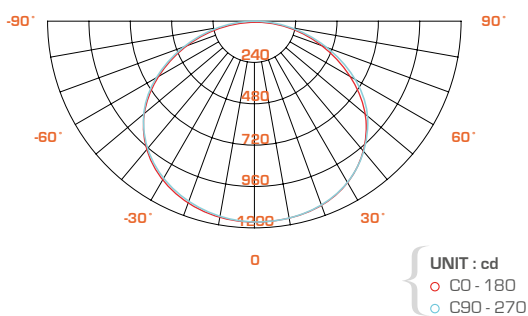
Aluminium
Diffuser : Polycarbonate

Accessories

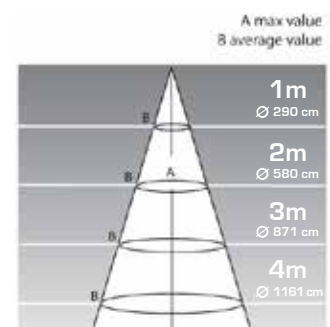
- Mounting frame CDL30X30
- Staff fitting frame CBAL120X30
- Suspension cables F2BYDL

Luminous intensity distribution diagram & illuminance

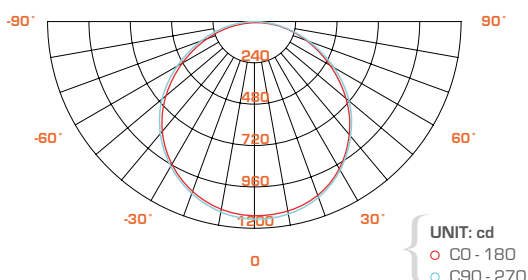
Warm White



	A (lux)	B (lux)
1m	1135	344
2m	283	86
3m	126	38
4m	71	21



Neutral White



	A (lux)	B (lux)
1m	1174	363
2m	293	90
3m	130	40
4m	73	22

LuciPanel

40W 1200x200mm



LuciPanel

960°

120°

IP40

IK02



- Ideal for ambiance lighting and compact fluorescent tubes replacement
- Lifespan: 50,000 hours
- Built-in fastening and STAFF type ceiling fastening (placo BA13) or hung from surface
- The thinnest panel on the market: 10mm
- Unlimited number of ignition / extinction cycles
- Instant start



Hangers

Product References

LD2F40BC120X20.DS 3 760 179 404 821
 LD2F40BN120X20.DS 3 760 179 404 838

KELVINS

WW : 2800 K
 NW : 4000 K

LUMENS

3150 Lm
 3460 Lm

Driver non included

Office Bureau	Shop Commerce	Hospitality Café, Hôtel & Restaurant	Education Education
Healthcare Santé	Industry Industrie	Showroom Espace d'exposition	Outdoor Lighting Eclairage extérieur

Characteristics

Type	Panel
Number of LED	450
CRI	85

Power consumption

42W

47W with driver

Intensity (constant current)

700 mA

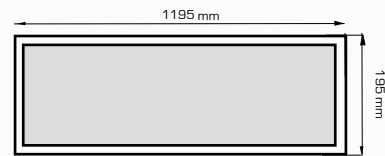
Certifications



EMC EN 61547
EN 61000-3-2
EN 61000-3-3
EN 55015
PBS EN 62471

RoHS

Measures



Dimensions



3.5kg Weight

Environmental profile



Driver

- Sold separately. Compatible with:
 - Driver standard STD008
 - Driver dimmable DIM003
 - Driver DALI DAL003

Materials

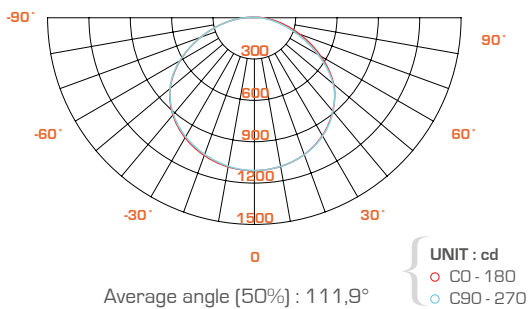
Aluminium
Diffuser Polycarbonate

Accessories

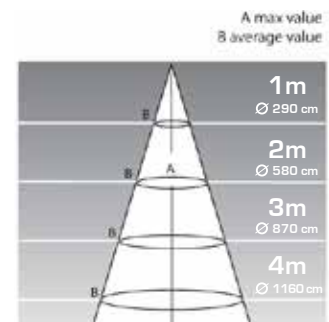
- Staff fitting frame CBAL120X20
- Suspension cables F2BYDL

Luminous intensity distribution diagram & illuminance

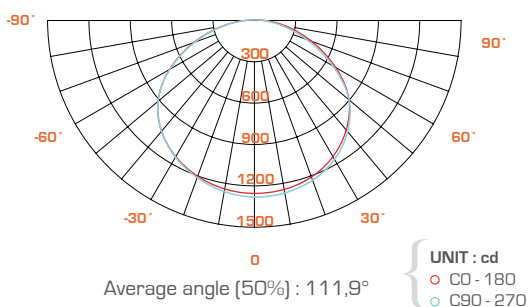
Warm White



	A [lux]	B [lux]
1m	1112	353
2m	278	88
3m	123	39
4m	69	22



Neutral White

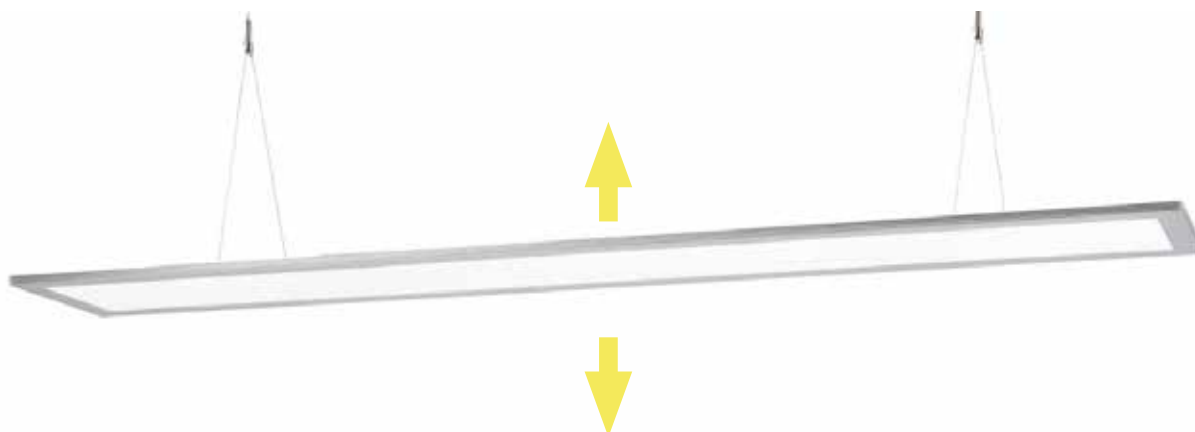


	A [lux]	B [lux]
1m	1231	400
2m	307	100
3m	136	45
4m	77	25

Lucipanel

Double Sided

40W 1200x200mm



LuciPanel

960°

2x120°



IP40

IK02



hangers (not included).



- Ideal for ambiance lighting and compact fluorescent tubes replacement
- Lifespan: 50,000 hours
- Suspended installation
- The thinnest panel on the market: 10mm
- Unlimited number of ignition / extinction cycles
- Instant start

Product References

		KELVINS	LUMENS (Σ 2 sides)
LD2F40BC120X20DF.DS	3 760 179 406 757	WW : 2800 K	3300 Lm
LD2F40BN120X20DF.DS	3 760 179 406 771	NW : 4000 K	3600 Lm
LD2F40BF120X20DF.DS	3 760 179 406 764	CW : 6000 K	4000 Lm

Driver non included - Straps not included

Office Bureau	Shop Commerce	Hospitality Café, Hôtel & Restaurant	Education Education
Healthcare Santé	Industry Industrie	Showroom Espace d'exposition	Outdoor Lighting Eclairage extérieur

Characteristics

Type	Panel
Number of LED	450
CRI	85

Power consumption

38W

45W with driver

Intensity (constant current)

700 mA

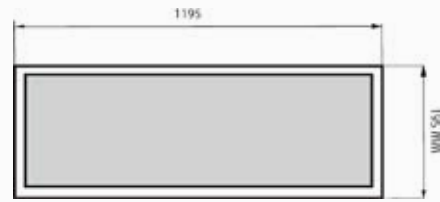
Certifications



EMC EN 61547
EN 61000-3-2
EN 61000-3-3
EN 55015
PBS EN 62471

RoHS

Measures



Dimensions

Weight

Environmental profile



Driver

- Sold separately. Compatible with:
 - Standard driver STD008
 - Dimmable driver DIM003
 - DALI driver DAL003

Materials

Aluminium
Diffuser : Polycarbonate

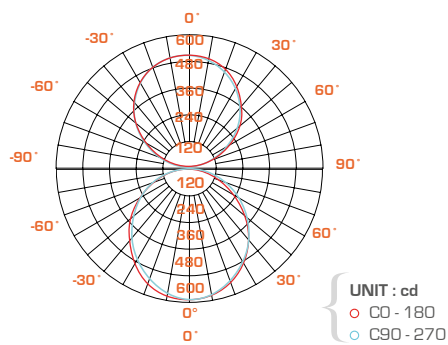
Kit

- Suspension cables* F2BYDL

* ordered separately

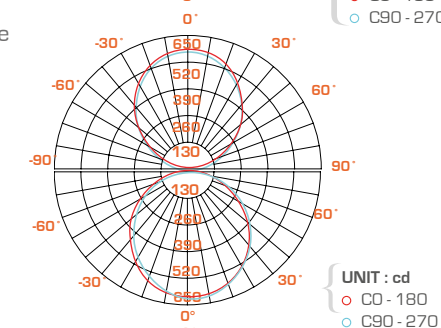
Luminous intensity distribution diagram & illuminance

Warm White



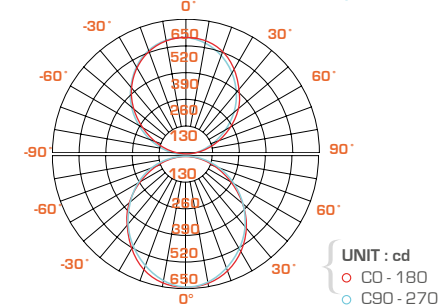
	A (lux)	B (lux)
- 4m	35	11
- 3m	63	19
- 2m	142	44
- 1m	570	176
1m	600	194
2m	150	48
3m	66	21
4m	37	12

Neutral White



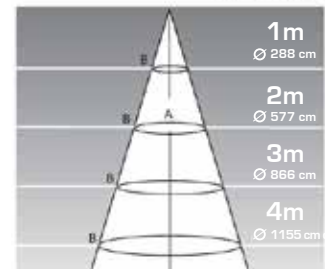
	A (lux)	B (lux)
- 4m	38	11
- 3m	67	20
- 2m	152	47
- 1m	610	189
1m	633	195
2m	158	48
3m	70	22
4m	39	12

Cold White



	A (lux)	B (lux)
- 4m	39	12
- 3m	68	22
- 2m	153	48
- 1m	611	192
1m	640	200
2m	160	50
3m	71	23
4m	40	13

A max value
B average value



LuciPanel

55W 1200x600mm



LuciPanel

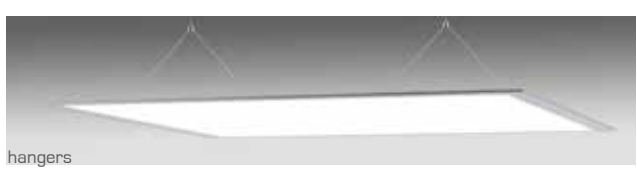


960°

120°

IP40

IK02



hangers

- Ideal for ambiance lighting and compact fluorescent tubes replacement
- Lifespan: 50,000 hours
- Built-in fastening or hung from surface
- The thinnest panel on the market: 10mm
- Unlimited number of ignition / extinction cycles
- Instant start
- Available on order : 1-10V, DALI, Warm White and Cold White

Product References

LPL055NW12xx6S3	3 760 179 407 471	KELVINS NW : 4000 K	LUMENS 5322 Lm
-----------------	-------------------	-------------------------------	--------------------------

Driver non included

Office Bureau	Shop Commerce	Hospitality Café, Hôtel & Restaurant	Education Education
Healthcare Santé	Industry Industrie	Showroom Espace d'exposition	Outdoor Lighting Eclairage extérieur

Characteristics

Type	Panel
Number of LED	440
CRI	85

Power consumption

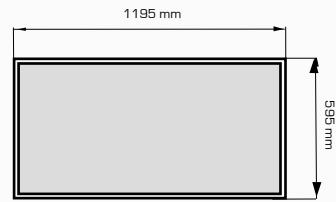
51.25 W

58 W with driver

Power supply

1.5A

Measures



Dimensions



Weight

Driver

- Sold separately. Compatible with:
 - Standard driver LSTD57CC1.5A

Certifications



EMC EN 61547
 EN 61000-3-2
 EN 61000-3-3
 EN 55015
PBS EN 62471

RoHS

Environmental profile



Materials

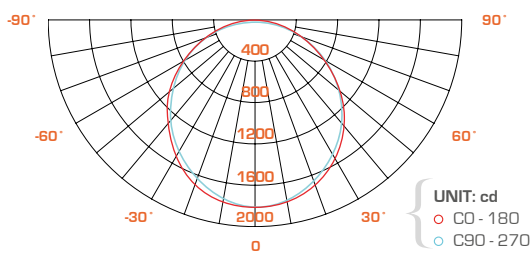
Aluminium
 Polycarbonate heat sink

Accessories

Suspension cables F3BYDL

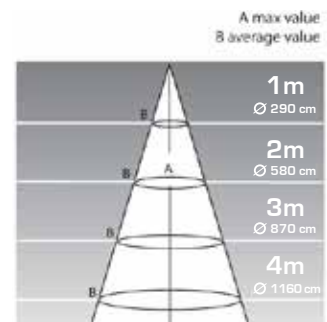
Luminous intensity distribution diagram & illuminance

Neutral White



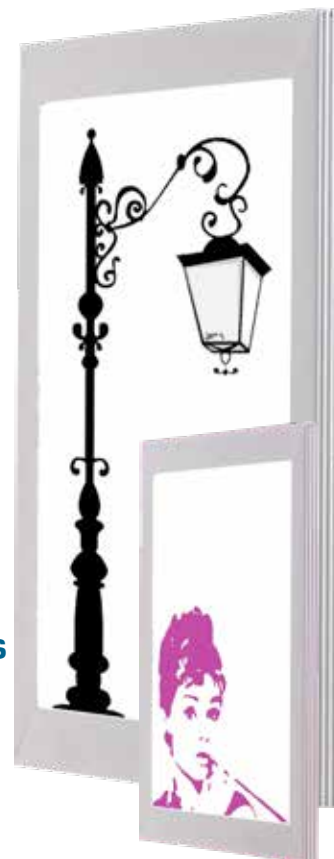
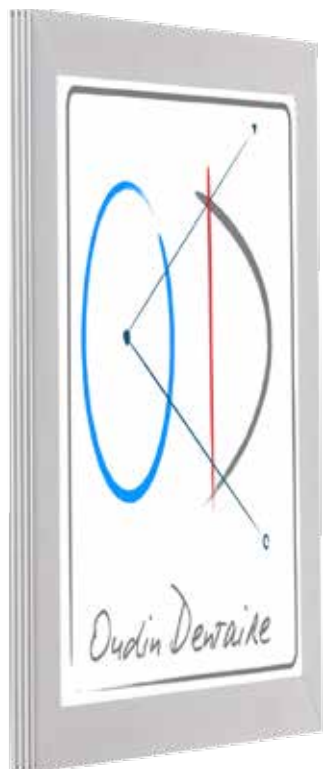
Medium angle (50%) : 113,2°

	A (lux)	B (lux)
1m	1835	539
2m	459	135
3m	204	60
4m	115	33



LuciDream

The only limit: your imagination!



Lucibel silkscreen printed, illuminated panels according to your desires to provide a unique lighting effect!

HOSPITALS, NURSERIES, PAEDIATRIC WARDS, RETIREMENT HOMES...

- A brightly coloured and cheerful atmosphere
- A warm and convivial surrounding for families
- A pleasant distraction for young patients during medical examinations
- Colourful and decorative visual effects

SIGNS

- Printing of company logo, direction indicators...
- Unique indoor signs

LUXURY GOODS RETAILERS

- Enhancement of high-end products

DECORATION

- Architectural effects: Virtual windows for lighting or to optically increase the size of a room
- "Work of art" effect

To place an order, please contact us at: contact@lucibel.com and include your PDF HD or JPEG (minimum 300 DPI) file

Product references : LuciPanel + impression

LuciPanel 300x300mm	LLD010NW30X30S1
LuciPanel 600x600m	LLD020NW60X60S1
LuciPanel 600x600mm	LLD040NW60X60S1
LuciPanel 675x675mm	LLD040NW67X67S1
LuciPanel 1200x300mm	LLD040NW120X30S1
LuciPanel 1200x200mm	LLD040NW120X20S1
LuciPanel 1200x600mm	LLD055NW120X60S1

LuciPanel neutral white as standard.
Other colours: to be stipulated in the order.

Printed directly on the polycarbonate diffuser panel; incandescent filament 960°

LuciTrack

10W 15°



- Perfect for accent lighting to replace rail mounted 50W halogen sources
- Energy savings of 80% when compared against 50W AR111 halogen sources
- Lifetime : 50 000 hours
- Adjustable on two axis of rotation, enabling to freely point the angle of the light beam.
- Unlimited number of ignition / extinction cycles
- Instant start

Product References

		KELVINS	LUMENS
LTL10WW15	3 760 179 405 446	WW : 2800 K	505 Lm
LTL10NW15	3 760 179 405 453	NW : 4000 K	585 Lm
LTL10CW15	3 760 179 405 460	CW : 6000 K	635 Lm

Office Bureau	Shop Commerce	Hospitality Café, Hôtel & Restaurant	Education Education
Healthcare Santé	Industry Industrie	Showroom Espace d'exposition	Outdoor Lighting Eclairage extérieur

The TrackLEDs (8, 14, 20 and 34W) for the LucEco range are proposed at the end of this catalogue



Characteristics

Type	Rail mounted spots
Number of LED	4 LED x 2W
CRI	85
Connector	3-circuit track connector

Certifications



EMC	EN 55015
	EN 61000 - 3 - 2
	EN 61000 - 3 - 3
	EN 61547

RoHS

LVD	EN 60598 - 1
	EN 60598 - 2 - 1
	EN 62493

PBS	EN 62471
-----	----------

Power consumption

10,5W

Power supply

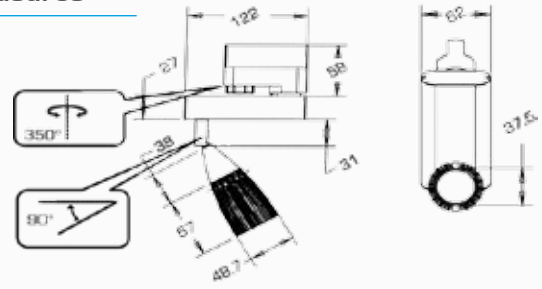
230V

50-60 Hz

Materials

Aluminum heat sink
PMMA lenses
LED components: Cree

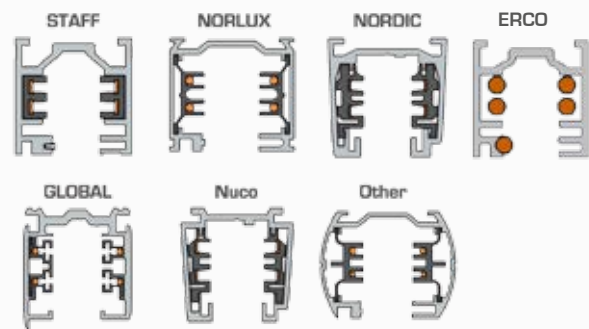
Measures



Environmental profile

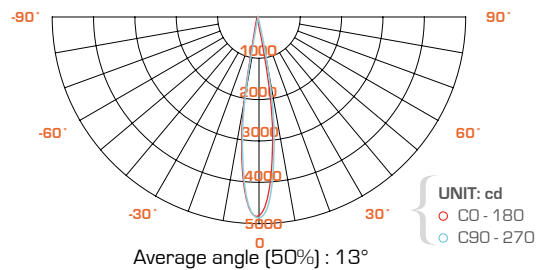


Connector compatibility (rail not supplied)



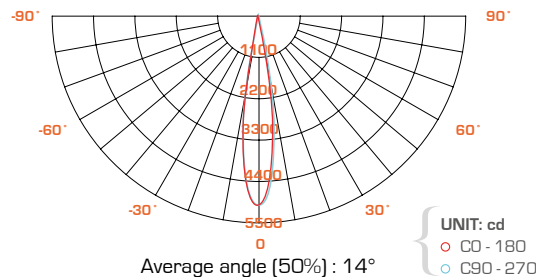
Luminous intensity distribution diagram & illuminance

Warm White



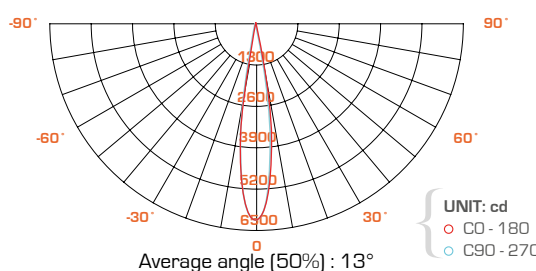
	A (lux)	B (lux)
1m	4896	3224
2m	1224	806
3m	544	358
4m	306	202

Neutral White



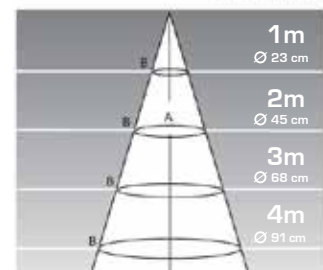
	A (lux)	B (lux)
1m	5102	3641
2m	1276	910
3m	567	405
4m	319	228

Cold White



	A (lux)	B (lux)
1m	6318	4213
2m	1580	1053
3m	702	468
4m	395	263

A max value
B average value



LuciTrack

10W 40°



- Perfect for accent lighting to replace rail mounted 50W halogen sources
- Energy savings of 80% when compared against 50W AR111 halogen sources
- Lifetime : 50 000 hours
- Adjustable on two axis of rotation, enabling to freely point the angle of the light beam.
- Unlimited number of ignition / extinction cycles
- Instant start

Product References

		KELVINS	LUMENS
LTL10WW40	3 760 179 405 965	WW : 2800 K	420 Lm
LTL10NW40	3 760 179 405 972	NW : 4000 K	500 Lm
LTL10CW40	3 760 179 405 989	CW : 6000 K	545 Lm

Office Bureau	Shop Commerce	Hospitality Café, Hôtel & Restaurant	Education Education
Healthcare Santé	Industry Industrie	Showroom Espace d'exposition	Outdoor Lighting Eclairage extérieur

The TrackLEDs (8, 14, 20 and 34W) for the LucEco range are proposed at the end of this catalogue



Characteristics

Type	Rail mounted spots
Number of LED	4 LED x 2W
CRI	85
Connector	3-circuit track connector

Certifications



EMC	EN 55015
	EN 61000 - 3 - 2
	EN 61000 - 3 - 3
	EN 61547

RoHS

LVD	EN 60598 - 1
	EN 60598 - 2 - 1
	EN 62493

PBS	EN 62471
-----	----------

Power consumption

10,5W

Power supply

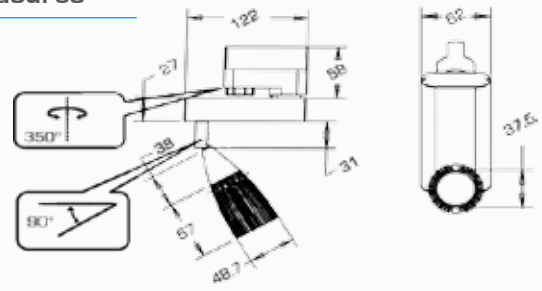
230V

50-60 Hz

Materials

Aluminum heat sink
PMMA lenses
LED components: Cree

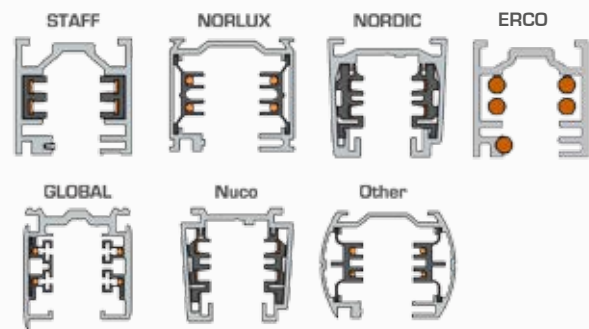
Measures



Environmental profile

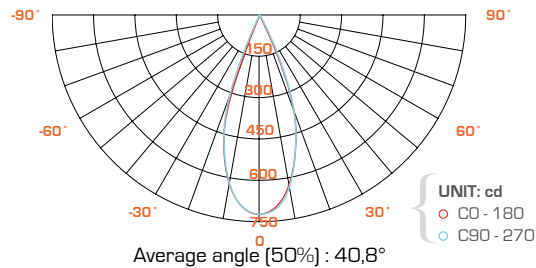


Connector compatibility (rail not supplied)



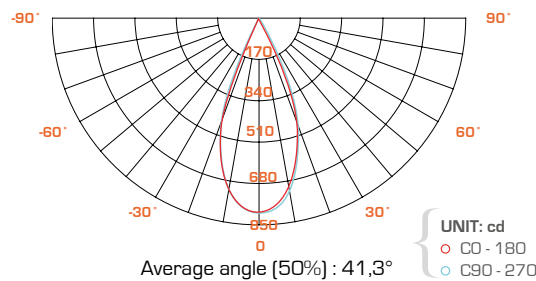
Luminous intensity distribution diagram & illuminance

Warm White



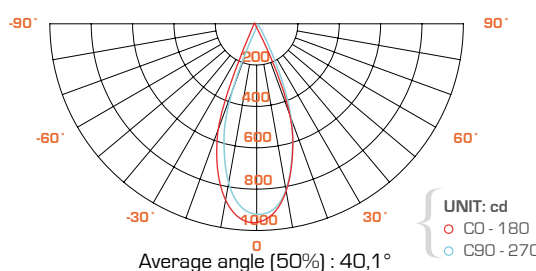
	A (lux)	B (lux)
1m	710	454
2m	178	113
3m	79	50
4m	44	28

Neutral White



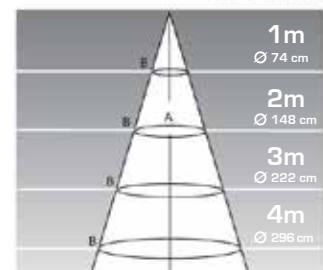
	A (lux)	B (lux)
1m	817	522
2m	204	131
3m	91	58
4m	51	33

Cold White



	A (lux)	B (lux)
1m	948	604
2m	237	151
3m	105	67
4m	59	38

A max value
B average value



LuciTrack

13W 15°



LuciTrack



Black model : inquire previously

- Perfect for accent lighting to replace rail mounted 75W halogen sources
- Energy savings of 80% when compared against 75W AR111 halogen sources
- Lifetime : 50 000 hours
- Adjustable on two axis of rotation, enabling to freely point the angle of the light beam.
- Unlimited number of ignition / extinction cycles
- Instant start



Product References

		KELVINS	LUMENS
LTL13WW15	3 760 179 405 477	WW : 2800 K	600 Lm
LTL13NW15	3 760 179 405 484	NW : 4000 K	705 Lm
LTL13CW15	3 760 179 405 491	CW : 6000 K	780 Lm

Office Bureau	Shop Commerce	Hospitality Café, Hôtel & Restaurant	Education Education
Healthcare Santé	Industry Industrie	Showroom Espace d'exposition	Outdoor Lighting Eclairage extérieur

The TrackLEDs (8, 14, 20 and 34W) for the LucEco range are proposed at the end of this catalogue

Non-contractual pictures - data may be subject to change - v2b



Characteristics

Type	Rail mounted spots
Number of LED	5 LED x 2W
CRI	85
Connector	3-circuit track connector

Certifications



EMC	EN 55015
	EN 61000 - 3 - 2
	EN 61000 - 3 - 3
	EN 61547

RoHS

LVD	EN 60598 - 1
	EN 60598 - 2 - 1
	EN 62493

PBS	EN 62471
-----	----------

Power consumption

12,8W

Power supply

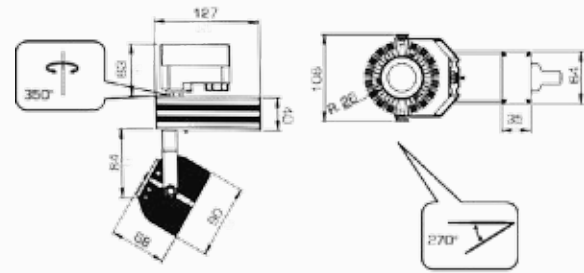
230V

50-60 Hz

Materials

Aluminum heat sink
PMMA lenses
LED components: Cree

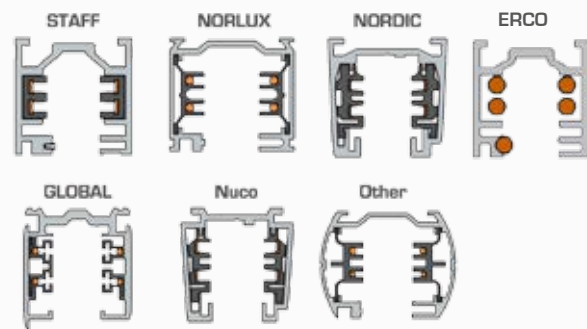
Measures



Environmental profile

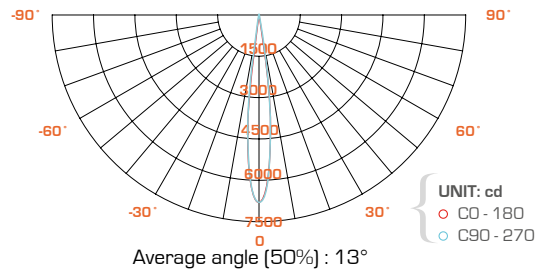


Connector compatibility (rail not supplied)



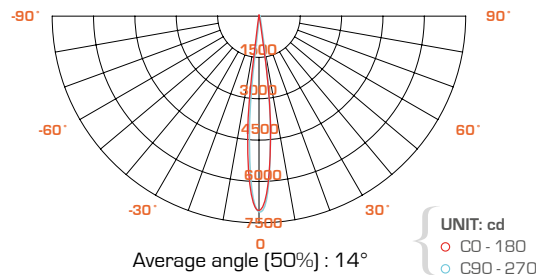
Luminous intensity distribution diagram & illuminance

Warm White



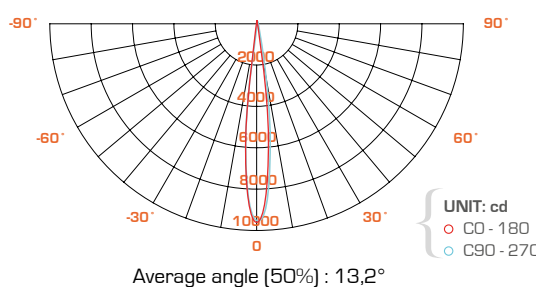
	A (lux)	B (lux)
1m	7269	5281
2m	1817	1320
3m	808	587
4m	454	330

Neutral White



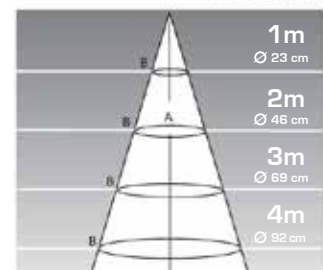
	A (lux)	B (lux)
1m	7386	5556
2m	1846	1389
3m	821	617
4m	462	347

Cold White



	A (lux)	B (lux)
1m	9758	7226
2m	2440	1806
3m	1084	803
4m	610	452

A max value
B average value



LuciTrack

13W 40°



LuciTrack



Black model : inquire previously

- Perfect for accent lighting to replace rail mounted 75W halogen sources
- Energy savings of 80% when compared against 75W AR111 halogen sources
- Lifetime : 50 000 hours
- Adjustable on two axis of rotation, enabling to freely point the angle of the light beam.
- Unlimited number of ignition / extinction cycles
- Instant start



Product References

		KELVINS	LUMENS
LTL13WW40	3 760 179 405 023	WW : 2800 K	560 Lm
LTL13NW40	3 760 179 405 030	NW : 4000 K	690 Lm
LTL13CW40	3 760 179 405 047	CW : 6000 K	755 Lm

Office Bureau	Shop Commerce	Hospitality Café, Hôtel & Restaurant	Education Education
Healthcare Santé	Industry Industrie	Espace d'exposition Showroom	Outdoor Lighting Eclairage extérieur

The TrackLEDs (8, 14, 20 and 34W) for the LucEco range are proposed at the end of this catalogue

Non-contractual pictures - data may be subject to change - v2b



Characteristics

Type	Rail mounted spots
Number of LED	5 LED x 2W
CRI	85
Connector	3-circuit track connector

Certifications



EMC	EN 55015
	EN 61000 - 3 - 2
	EN 61000 - 3 - 3
	EN 61547

RoHS

LVD	EN 60598 - 1
	EN 60598 - 2 - 1
	EN 62493

PBS	EN 62471
-----	----------

Power consumption

12,8W

Power supply

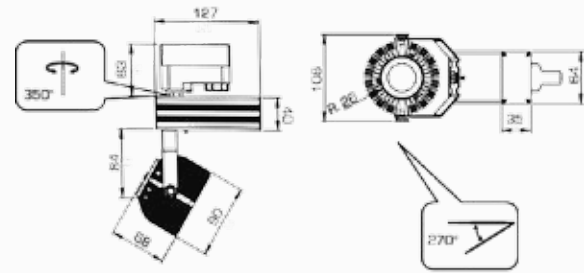
230V

50-60 Hz

Materials

Aluminum heat sink
PMMA lenses
LED components: Cree

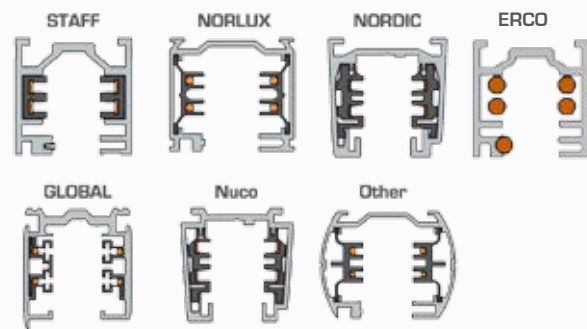
Measures



Environmental profile

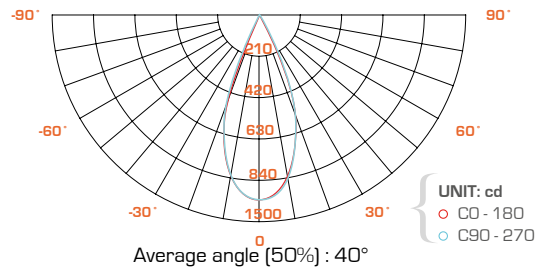


Connector compatibility (rail not supplied)



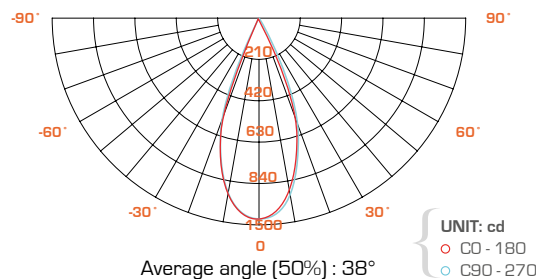
Luminous intensity distribution diagram & illuminance

Warm White



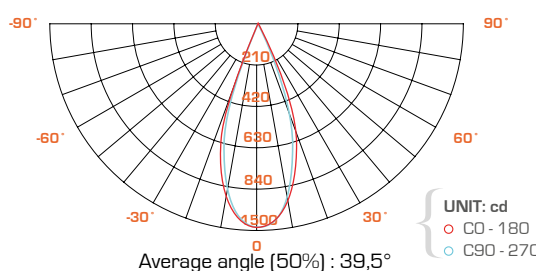
	A (lux)	B (lux)
1m	1061	690
2m	265	172
3m	118	77
4m	66	43

Neutral White



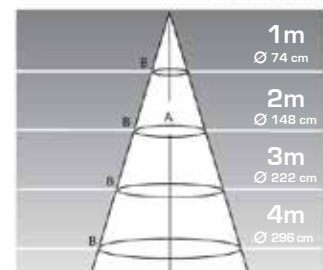
	A (lux)	B (lux)
1m	1475	970
2m	369	243
3m	164	108
4m	92	61

Cold White



	A (lux)	B (lux)
1m	1492	1021
2m	373	255
3m	166	114
4m	93	64

A max value
B average value



LuciTrack

17W 15°



LuciTrack

- 
- 
- 
- 



Black model : inquire previously

- Perfect for accent lighting to replace rail mounted 100W halogen sources
- Energy savings of 80% when compared against 100W AR111 halogen sources
- Lifetime : 50 000 hours
- Adjustable on two axis of rotation, enabling to freely point the angle of the light beam.
- Unlimited number of ignition /extinction cycles
- Instant start



Product References

		KELVINS	LUMENS
LTL17WW15	3 760 179 405 507	WW : 2800 K	830 Lm
LTL17NW15	3 760 179 405 514	NW : 4000 K	1000 Lm
LTL17CW15	3 760 179 405 521	CW : 6000 K	1115 Lm

 Office Bureau	 Shop Commerce	 Hospitality Café, Hôtel & Restaurant	 Education Education
 Healthcare Santé	 Industry Industrie	 Showroom Espace d'exposition	 Outdoor Lighting Eclairage extérieur

The TrackLEDs (8, 14, 20 and 34W) for the LucEco range are proposed at the end of this catalogue

Non-contractual pictures - data may be subject to change - v2b

Characteristics

Type	Rail mounted spots
Number of LED	7 LED x 2W
CRI	85
Connector	3-circuit track connector

Certifications



EMC	EN 55015
	EN 61000 - 3 - 2
	EN 61000 - 3 - 3
	EN 61547

RoHS

LVD	EN 60598 - 1
	EN 60598 - 2 - 1
	EN 62493

PBS	EN 62471
-----	----------

Power consumption

17,1W

Power supply

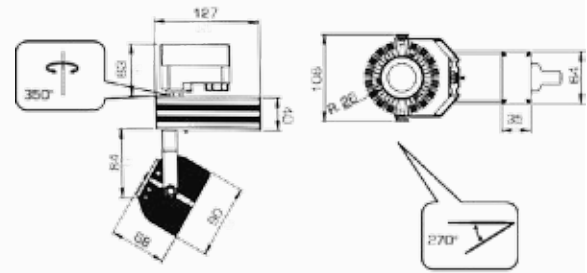
230V

50-60 Hz

Materials

Aluminum heat sink
PMMA lenses
LED components: Cree

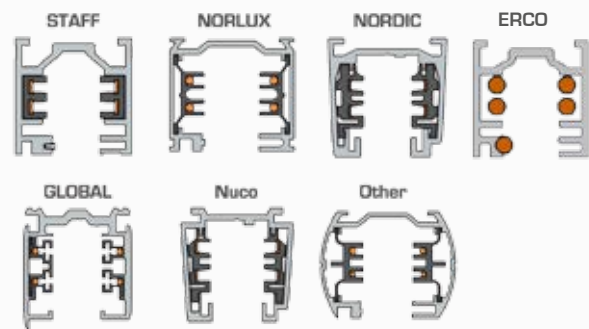
Measures



Environmental profile

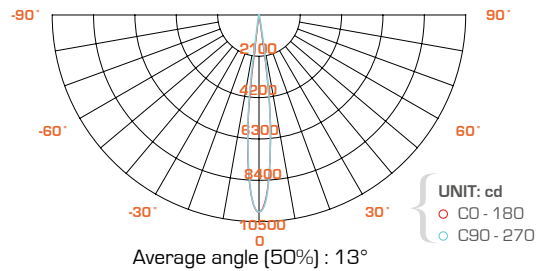


Connector compatibility (rail not supplied)



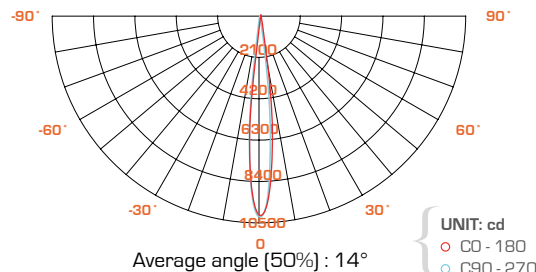
Luminous intensity distribution diagram & illuminance

Warm White



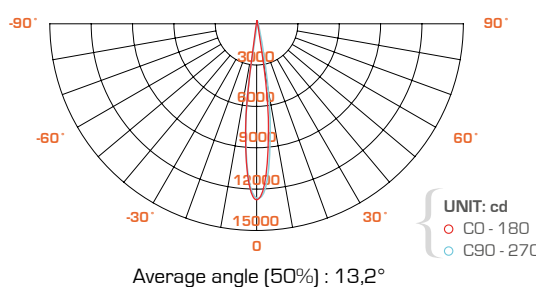
	A (lux)	B (lux)
1m	10016	7301
2m	2504	1825
3m	1113	811
4m	626	456

Neutral White



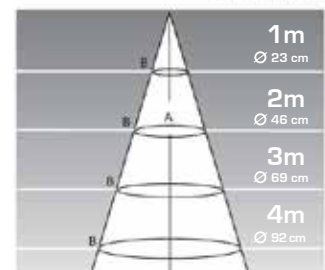
	A (lux)	B (lux)
1m	10306	7629
2m	2576	1907
3m	1145	848
4m	644	477

Cold White



	A (lux)	B (lux)
1m	13423	10141
2m	3356	2535
3m	1491	1127
4m	839	634

A max value
B average value



LuciTrack

17W 40°



LuciTrack



Black model : inquire previously

- Perfect for accent lighting to replace rail mounted 100W halogen sources
- Energy savings of 80% when compared against 100W AR111 halogen sources
- Lifetime : 50 000 hours
- Adjustable on two axis of rotation, enabling to freely point the angle of the light beam.
- Unlimited number of ignition / extinction cycles
- Instant start



Product References

		KELVINS	LUMENS
LTL17WW40	3 760 179 405 085	WW : 2800 K	815 Lm
LTL17NW40	3 760 179 405 092	NW : 4000 K	955 Lm
LTL17CW40	3 760 179 405 108	CW : 6000 K	1050 Lm

<p>Office Bureau</p>	<p>Shop Commerce</p>	<p>Hospitality Café, Hôtel & Restaurant</p>	<p>Education Education</p>
<p>Healthcare Santé</p>	<p>Industry Industrie</p>	<p>Showroom Espace d'exposition</p>	<p>Outdoor Lighting Eclairage extérieur</p>

The TrackLEDs (8, 14, 20 and 34W) for the LucEco range are proposed at the end of this catalogue

Non-contractual pictures - data may be subject to change - v2b

Characteristics

Type	Rail mounted spots
Number of LED	7 LED x 2W
CRI	85
Connector	3-circuit track connector

Certifications



EMC	EN 55015
	EN 61000 - 3 - 2
	EN 61000 - 3 - 3
	EN 61547

RoHS

LVD	EN 60598 - 1
	EN 60598 - 2 - 1
	EN 62493

PBS	EN 62471
-----	----------

Power consumption

17,1W

Power supply

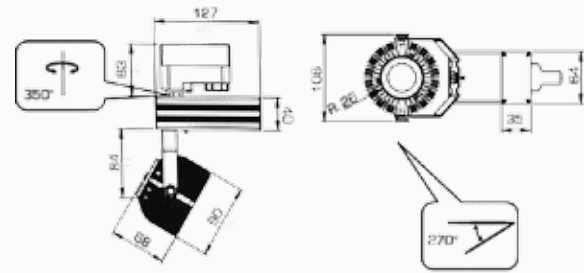
230V

50-60 Hz

Materials

Aluminum heat sink
PMMA lenses
LED components: Cree

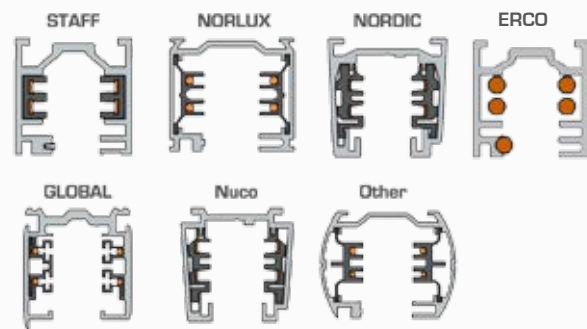
Measures



Environmental profile

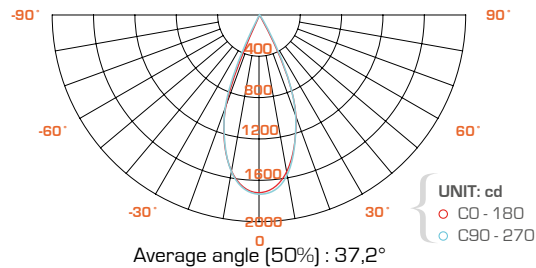


Connector compatibility (rail not supplied)



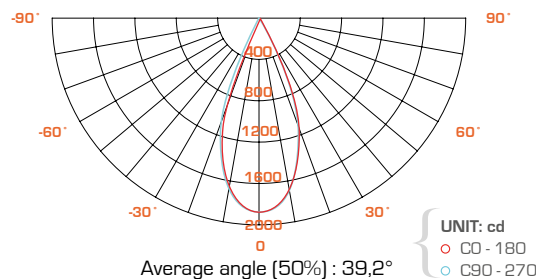
Luminous intensity distribution diagram & illuminance

Warm White



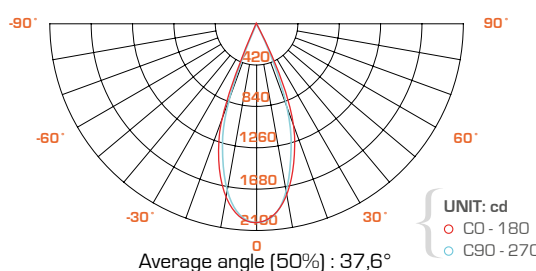
	A (lux)	B (lux)
1m	1758	1131
2m	440	283
3m	195	126
4m	110	71

Neutral White



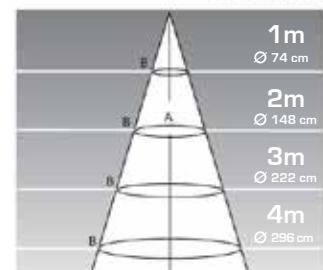
	A (lux)	B (lux)
1m	1851	1212
2m	463	303
3m	206	135
4m	116	76

Cold White



	A (lux)	B (lux)
1m	2075	1412
2m	519	353
3m	231	157
4m	130	88

A max value
B average value



LuciSpot

15W 40°



LuciSpot



Also available in black
(inquire previously)

- Infrared and Ultraviolet radiation free adjustable LED Spot, perfect for lighting up heat-sensitive surfaces and objects: accent lighting for stores, restaurants, bars, galleries, exhibition halls, etc.
- Energy savings of 80% when compared against 75W AR111 halogen sources
- 40° angle revitalizes the volumes of lit-up objects
- Two axis of rotation enabling pointing the light in different directions as needed
- Unlimited number of ignition / extinction cycles
- Instant start



Product References

White color flange (RAL 9010)		KELVINS	LUMENS
LLS015WWHWA40S	3 760 179 400 038	BC : 2800 K	810 Lm
LLS015NWHWA40S	3 760 179 400 021	BN : 4000 K	955 Lm
LLS015CWHWA40S	3 760 179 400 014	BF : 6000 K	1050 Lm
Gray color flange (RAL 9006)		KELVINS	LUMENS
LLS015WWHGA40S	3 760 179 400 007	BC : 2800 K	810 Lm
LLS015NWHGA40S	3 760 179 407 310	BN : 4000 K	955 Lm
LLS015CWHGA40S	3 760 179 407 327	BF : 6000 K	1050 Lm

Office Bureau	Shop Commerce	Hospitality Café, Hôtel & Restaurant	Education Education
Healthcare Santé	Industry Industrie	Espace d'exposition Showroom	Outdoor Lighting Eclairage extérieur

Characteristics

Type	Spot
Number of LED	7 LED x 2W
CRI	85

Power consumption

17,5W

Intensity (constant current)

700mA

Certifications



EMC EN 55015
EN 61000-3-2
EN 61000-3-3
EN 61547

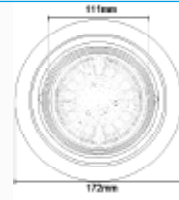
PBS EN 62471

RoHS

Compatible drivers :

- Standard driver STD002
- Dimmable driver DIM002
- DALI driver DAL003

Measures



Dimensions



Ø 160mm

480g

Weight



360° et 180°

Adjustable

Environmental profile



Materials

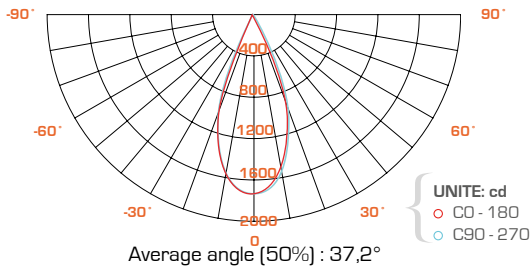
Aluminum
LED Components : CREE

Variante

In your projects, contact us to change the power or the angle of the AR111 source or the color of the cup (available in black).

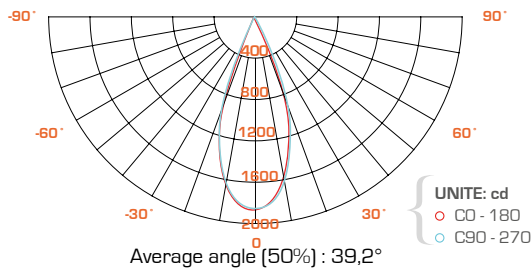
Luminous intensity distribution diagram & illuminance

Warm White



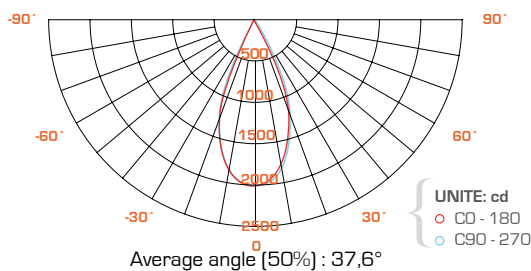
	A (lux)	B (lux)
1m	1758	1131
2m	440	283
3m	195	126
4m	110	71

Neutral White



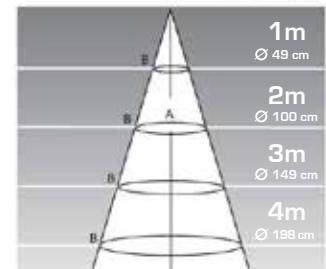
	A (lux)	B (lux)
1m	1851	1212
2m	463	303
3m	206	135
4m	116	76

Cold White



	A (lux)	B (lux)
1m	2075	1412
2m	519	353
3m	231	157
4m	130	88

A max value
B average value



cardanic-movement lighting fixtures



cardanic-movement lighting fixtures

AR111 15W



IP20

References Product

LGL15WW.A25	3 760 179 404 661
LGL30WW.A25	3 760 179 404 678
LGL45WW.A25	3 760 179 404 685

Compatibility

AR111 15W



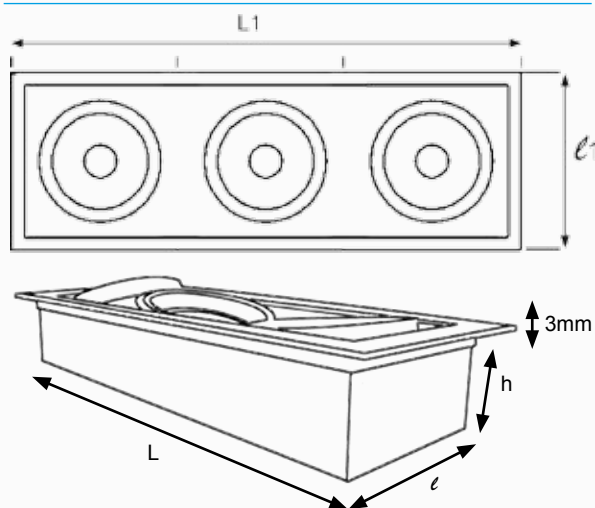
Characteristics

Type	cardanic-movement lighting fixtures
Colour	White
Adjustable	Yes
Composition	Aluminium
Assembling	AR111 15W [other combinations possible on request]

Certifications

CE	LVD EN 60598 - 1	EMC EN 55015
	EN 60598 - 2 - 2	EN 61547
RoHS		EN 61000-3-2
	PBS NF/EN 62471	EN 61000-3-3

Measures



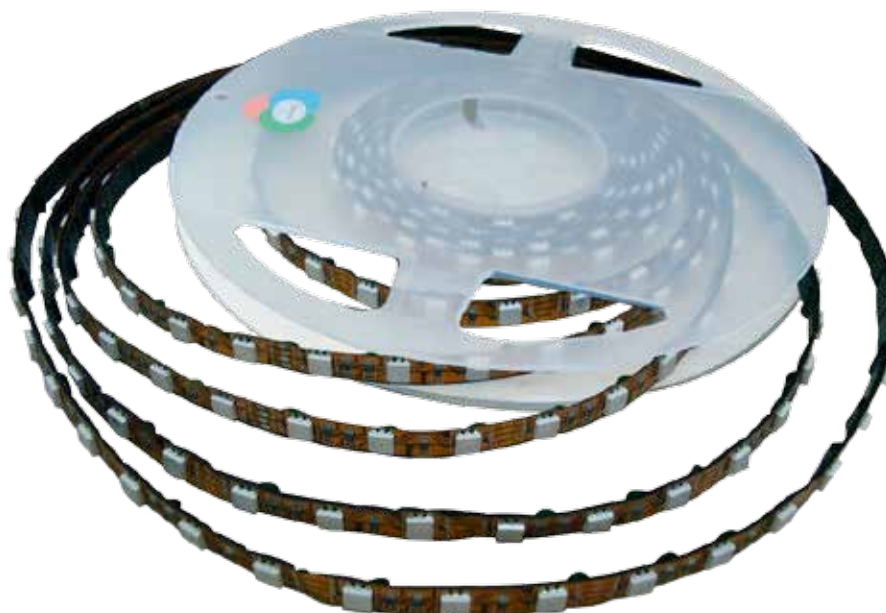
Reference	Number of lamps	Total power	Dimensions of the light fixture (L1 x l1)	Dimensions of the recess (l x L x h)
LGL15WW.A25	1	15 W	200 x 200 mm	160 x 160 x 130 mm
LGL30WW.A25	2	30 W	380 x 200 mm	160 x 340 x 130 mm
LGL45WW.A25	3	45 W	515 x 200 mm	160 x 470 x 130 mm

Strip

5W / m



Strip



IP20

IP67

IK02



- Ideal for architectural lighting and enhancement of volume and materials
- Lifespan: 50,000 hours
- Unlimited number of ignition / extinction cycles
- Instant start



Product References

5 meters

LRL5W5MBCIP20	3 760 179 402 971
LRL5W5MBFIP20	3 760 179 402 988
LRL5W5MBCIP67	3 760 179 402 995
LRL5W5MBFIP67	3 760 179 403 008

25 meters

LRL5W25MBCIP20	3 760 179 403 169
LRL5W25MBFIP20	3 760 179 404 906
LRL5W25MBCIP67	3 760 179 404 913
LRL5W25MBFIP67	3 760 179 403 176

KELVINS

WW : 3000 K
CW : 6000 K

LUMENS

270 Lm/m
300 Lm/m

Driver non included

Office Bureau	Shop Commerce	Hospitality Café, Hôtel & Restaurant	Education Education
Healthcare Santé	Industry Industrie	Showroom Espace d'exposition	Outdoor Lighting Eclairage extérieur

Characteristics

Type	Strip
Number of LED	60 LED / m
CRI	75

Power consumption

5W/m

Power supply

12V

Certifications



EMC EN 61547 ; EN 61000-3-2
EN 61000-3-3 ; EN 55015

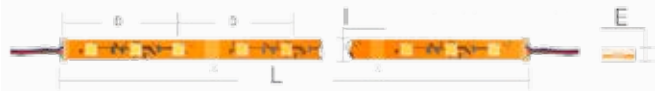
PBS EN 62471

RoHS

Driver

- Sold separately. Compatible with:
 - Transformer STD006 / STD007
 - Dimmable controller CDIMMABLE

Measures



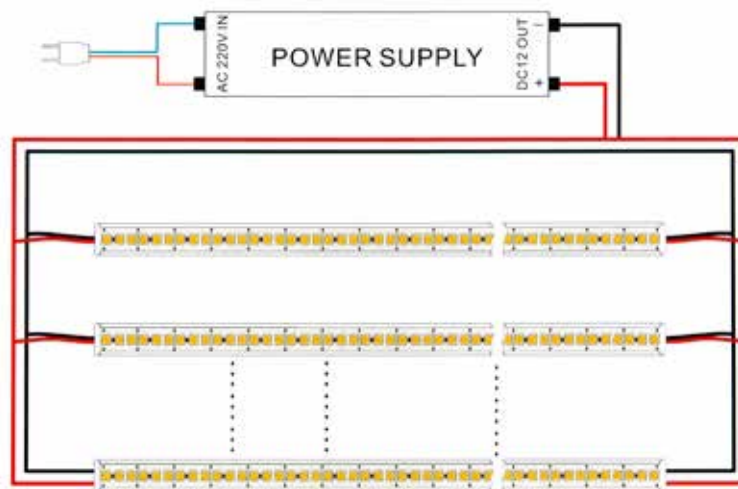
L : 5000 mm, l : 10 mm (IP20) or 12mm (IP67), E : 4 mm
5m Spool divisible every three LEDs (5cm)

Environmental profile



Accessories

- Aluminium Profil 7mm (IP20 strip) and 15mm (IP20 and IP67 strip) with accessories (review technical data sheet)



Strip

15W / m



Strip



IP20

IP67

IK02



- Ideal for architectural lighting and enhancement of volume and materials
- Lifespan: 50,000 hours
- Unlimited number of ignition / extinction cycles
- Instant start



Product References

5 meters

LRL15W5MBCIP67	3 760 179 403 138
LRL15W5MBFIP67	3 760 179 403 145
LRL15W5MBCIP20	3 760 179 403 107
LRL15W5MBFIP20	3 760 179 403 114

25 meters

LRL15W25MBCIP67	3 760 179 403 183
LRL15W25MBFIP67	3 760 179 403 190
LRL15W25MBCIP20	3 760 179 404 739
LRL15W25MBFIP20	3 760 179 404 920

KELVINS

WW : 2800 K
CW : 6000 K

LUMENS

640 Lm / m
780 Lm / m

Driver non included

Office Bureau	Shop Commerce	Hospitality Café, Hôtel & Restaurant	Education Education
Healthcare Santé	Industry Industrie	Showroom Espace d'exposition	Outdoor Lighting Eclairage extérieur

Characteristics

Type	Strip
Number of LED	60 LED / m
CRI	75

Power consumption

15W/m

Power supply

12V

Certifications



EMC EN 61547 ; EN 61000-3-2
EN 61000-3-3 ; EN 55015

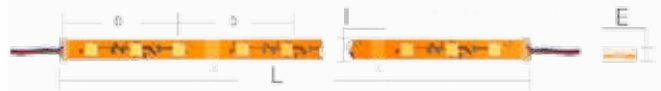
PBS EN 62471

RoHS

Driver

- Sold separately. Compatible with:
 - Transformer STD006 / STD007
 - Dimmable controller CDIMMABLE

Measures



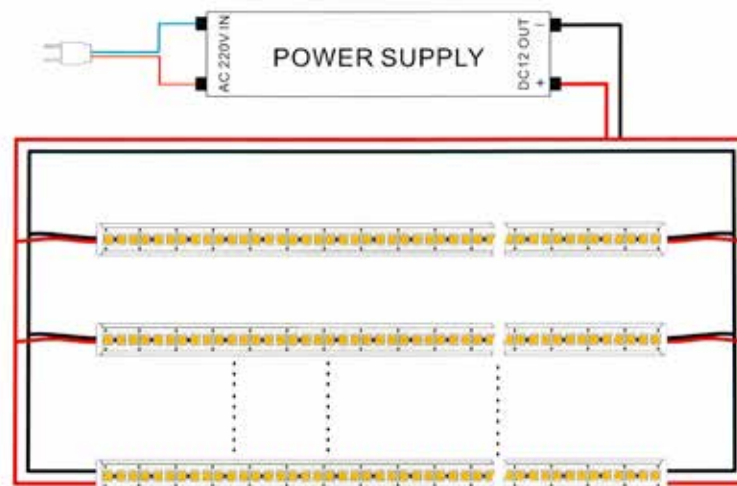
L : 5000 mm, l : 10 mm (IP20) or 12mm (IP67), E : 4 mm
5m Spool divisible every three LEDs [5cm]

Environmental profile



Accessories

- Aluminium Profil 7mm (IP20 strip) and 15mm (IP20 and IP67 strip) with accessories [review technical data sheet]

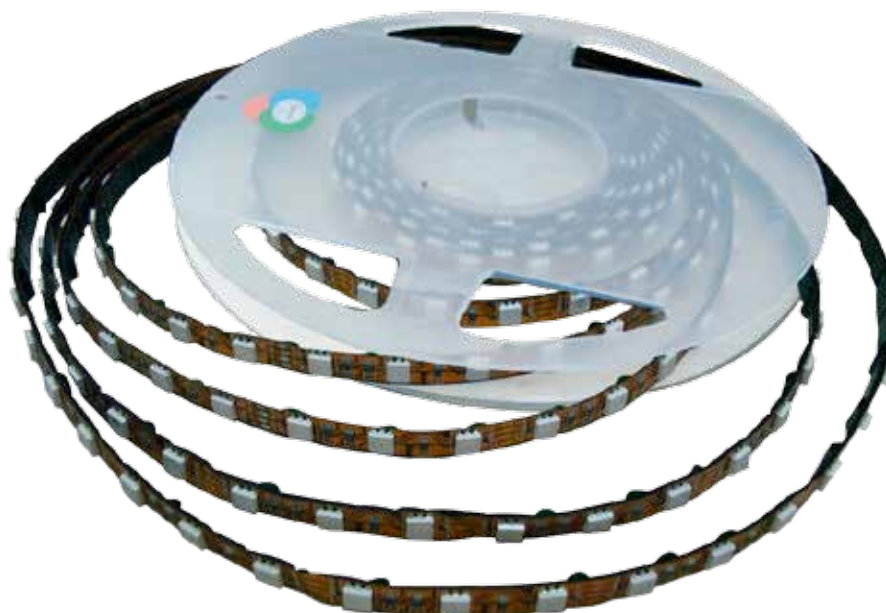


Strip RGB

15W / m



Strip



- Ideal for architectural lighting and enhancement of volume and materials
- Lifespan: 50,000 hours
- Unlimited number of ignition / extinction cycles
- Instant start



Product References

		KELVINS	LUMENS
LRL15W5MRGBIP67	3 760 179 401 332	Red	120 Lm / m
LRL15W5MRGBIP20	3 760 179 403 121	Green	240 Lm / m
		Blue	150 Lm / m

Driver non included

Office Bureau	Shop Commerce	Hospitality Café, Hôtel & Restaurant	Education Education
Healthcare Santé	Industry Industrie	Showroom Espace d'exposition	Outdoor Lighting Eclairage extérieur

Characteristics

Type	Strip
Number of LED	60 LED / m
CRI	75

Power consumption

15W/m

Power supply

12V

Certifications



EMC EN 61547 ; EN 61000-3-2
EN 61000-3-3 ; EN 55015

RoHS

PBS EN 62471

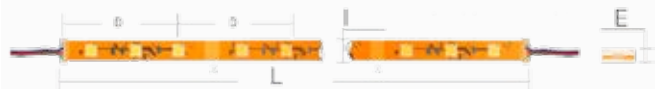
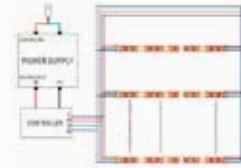
Driver

- Sold separately. Compatible with:
 - Transformer STD006 / STD007
 - Dimmable controller CDIMMABLE

Accessories

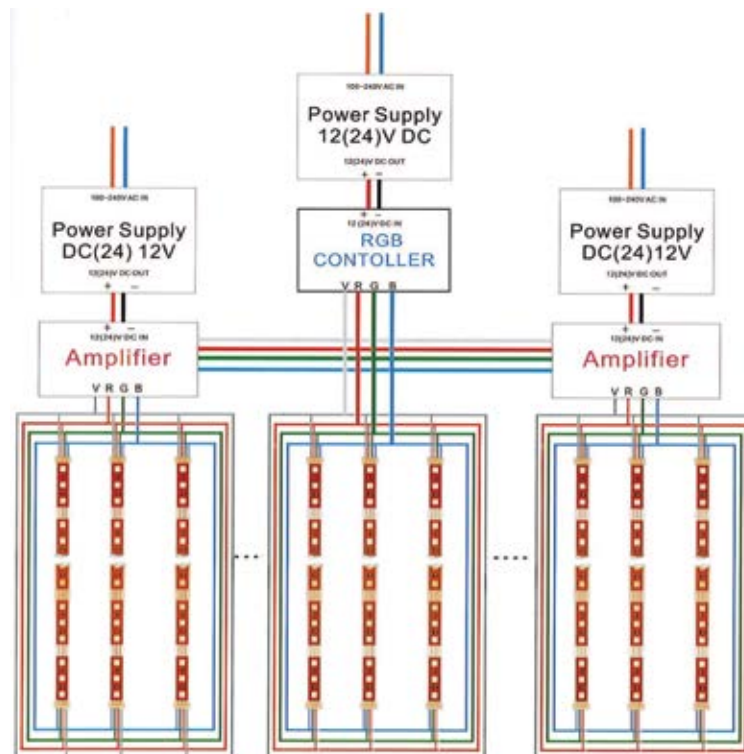
- Aluminium Profil 7mm (IP20 strip) and 15mm (IP20 and IP67 strip) with accessories (review technical data sheet)

Measures



L : 5000 mm, I : 10 mm (IP20) or 12mm (IP67), E : 4 mm
5m Spool divisible every three LEDs (5cm)

Environmental profile



Clip n'Slide

Kit 45W



Clip n'Slide



- **Customise your lighting**
 - > Position the magnetic spot lights as required
 - > Infrared remote control
 - > Available in 4 different colours
- **Designer lighting**
 - > 11 mm thick aluminium rail
 - > 2 Warm White spotlights
 - > 350 lumens per spotlight
- **Easy installation**
 - > Compact modular form, surface mounted
 - > Internal electrical wiring, clip connected
 - > Mounting template for corners



Product reference

CNSSK45WW	3 700 514 709 112	KELVINS WW: 3000 K	LUMENS 700 Lm/m
-----------	-------------------	------------------------------	---------------------------



Characteristics

Type	Rail-mounted LED spotlight kit
Number of LED	1 LED per module
CRI	80
Maximum power	45W (7 LED modules)
Luminosity	350 Lm per Warm White LED module (700 Lm per kit)
Intensity	490 cd per Warm White LED module

Power consumption

45W max

Power supply

230V

Materials

Slide in anodised aluminium

Certifications



EMC EN 55015
EN 61547
EN 61000-3-2
EN 61000-3-3

RoHS

LVD EN 61347-1
EN 61347-2-13
IEC 60598-1
IEC 60598-2-23
IEC 62031
IEC 62471

Contents of kit

	1 supply
	1 remote
	1 slider rails
	2 clip-on spotlights
	1 end cap



You may complete with an additional:

> 2 slide rails

(3 in total including that of the starter kit, i.e. 1.5 m)

> 5 clip-on LEDs

(7 in total including the 2 in the starter kit)

Measures

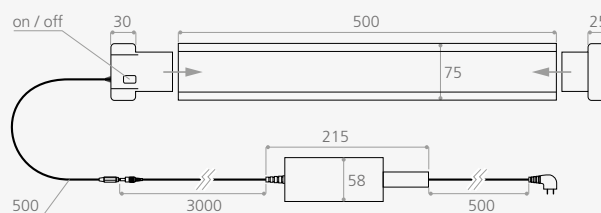
Dimensions :

Slide rail : L.500 / l.75 / ep.11 mm

Power supply (embouts compris) : L.215 / l.58 / H.30 mm

Input cable : L.3000 mm (embout : L.25 mm)

Output cable : L.500 mm (embout : L.60 mm)



Weight of the complete kit:



Environmental profile



* more than 13 years, for 3h / day operation



Accessories

Clip-on LED available separately



Clip 3000K	CNSCB1WW
Clip blue	CNSCB1BL
Clip red	CNSCB1RD
Clip pink	CNSCB1PK
Clip green	CNSCB1GR

50 cm slide rail available separately



50 cm Slide rail	CNSSL1
------------------	--------

Connectors



Magnetic straight union	CNSCFLT
-------------------------	---------



Magnetic 90° union	CNSC90
--------------------	--------



Magnetic 90° flat union	CNSC90FLT
-------------------------	-----------

data sheets on demand

LuciLine

10W 600mm



LuciLine



- Ideal for architectural lighting
- Lifespan: 30,000 hours
- Possibility of continuous row installation
- Unlimited number of ignition / extinction cycles
- Instant start



Product References

		KELVINS	LUMENS
LLAC10BC60	3 760 179 402 322	WW: 2800 K	700 Lm
LLAC10BN60	3 760 179 402 339	NW : 4000 K	840 Lm

Office Bureau	Shop Commerce	Hospitality Café, Hôtel & Restaurant	Education Education
Healthcare Santé	Industry Industrie	Showroom Espace d'exposition	Outdoor Lighting Eclairage extérieur

Characteristics

Type	LuciLine
Number of LED	117
CRI	75

Power consumption

10W

Power supply

230V

50 - 60Hz

Certifications

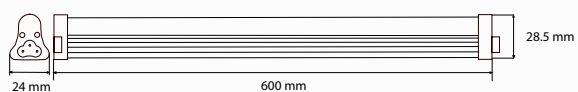


LVD EN 60598-1
EN 60598-2-1

RoHS

EMC EN 61547
EN 61000-3-2
EN 61000-3-3
EN 55015

Measures



Dimensions



Weight

Environmental profile



Materials

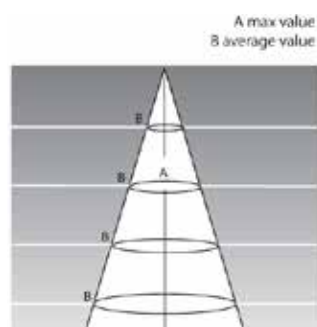
Aluminium

Polycarbonate

Illuminance

Neutral White

	A (lux)	B (lux)
1m	147	48
2m	42	14
3m	20	7
4m	9	3



LuciLine

14W 900mm



LuciLine



- Ideal for architectural lighting
- Lifespan: 30,000 hours
- Possibility of continuous row installation
- Unlimited number of ignition / extinction cycles
- Instant start

Product References

		KELVINS	LUMENS
LLAC14BC90	3 760 179 402 346	WW: 2800 K	1050 Lm
LLAC14BN90	3 760 179 402 353	NW : 4000 K	1260 Lm

Office Bureau	Shop Commerce	Hospitality Café, Hôtel & Restaurant	Education Education
Healthcare Santé	Industry Industrie	Showroom Espace d'exposition	Outdoor Lighting Eclairage extérieur

Characteristics

Type	LuciLine
Number of LED	176
CRI	75

Power consumption

14W

Power supply

230V

50 - 60Hz

Certifications

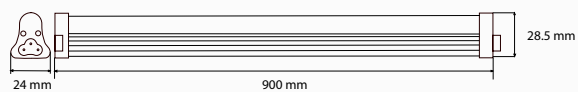


LVD EN 60598-1
EN 60598-2-1

RoHS

EMC EN 61547
EN 61000-3-2
EN 61000-3-3
EN 55015

Measures



Dimensions



Weight

Environmental profile



Materials

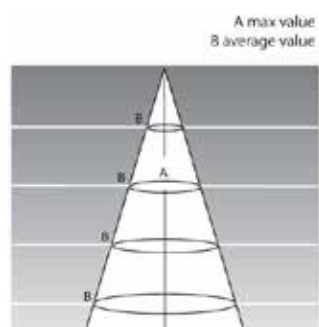
Aluminium

Polycarbonate

Illuminance

Neutral White

	A (lux)	B (lux)
1m	220	74
2m	63	21
3m	30	11
4m	13	5



LuciLine

18W 1200mm



LuciLine



- Ideal for architectural lighting
- Lifespan: 30,000 hours
- Possibility of continuous row installation
- Unlimited number of ignition / extinction cycles
- Instant start



Product References

		KELVINS	LUMENS
LLAC18BC120	3 760 179 402 360	WW: 2800 K	1350 Lm
LLAC18BN120	3 760 179 402 377	NW : 4000 K	1675 Lm

Office Bureau	Shop Commerce	Hospitality Café, Hôtel & Restaurant	Education Education
Healthcare Santé	Industry Industrie	Showroom Espace d'exposition	Outdoor Lighting Eclairage extérieur

Characteristics

Type	LuciLine
Number of LED	235
CRI	75

Power consumption

18W

Power supply

230V

50 - 60Hz

Certifications

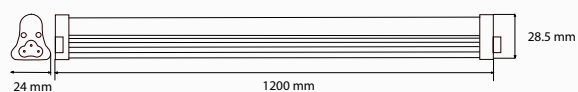


LVD EN 60598-1
EN 60598-2-1

EMC EN 61547
EN 61000-3-2
EN 61000-3-3
EN 55015

RoHS

Measures



Dimensions



Weight

Environmental profile



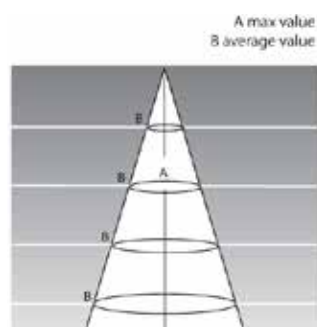
Materials

Aluminium
Polycarbonate

Illuminance

Neutral White

	A (lux)	B (lux)
1m	294	98
2m	84	28
3m	40	14
4m	18	6



LuciPark

60cm 30W



LuciPark



960°



IP65

IK08



- Ideal waterproof light (IP65) for car parks, basements, warehouses, workshops, cold rooms (-20°C to +45°C) etc.
- Lifespan: 50,000 hours
- Unlimited number of ignition / extinction cycles
- Instant start
- Fixing straps and transversal cabling for hassle-free and quick installation
- Diffuser ensuring a homogeneous light and excellent glare control
- Possibility to install series of up to 50 LuciParks



Product References

		KELVINS	LUMENS
LSDS30BN60	3 760 179 402 599	NW : 4000 K	2360 Lm
LSDS30BF60	3 760 179 403 350	CW : 6000 K	2455 Lm

Office Bureau	Shop Commerce	Hospitality Café, Hôtel & Restaurant	Education Education
Healthcare Santé	Industry Industrie	Showroom Espace d'exposition	Outdoor Lighting Eclairage extérieur

Characteristics

Type	Waterproof light
Number of LED	88
CRI	85

Power consumption

34W

Power supply

230V

50 - 60Hz

Certifications



LVD EN 60598-1
EN 60598-2-2

EMC EN 61547 ; EN 61000-3-2
EN 61000-3-3 ; EN 55015

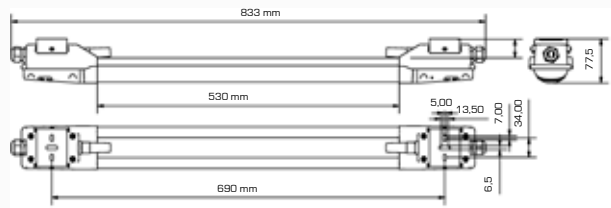
PBS EN 62471

RoHS

Driver

- Sold with standard driver

Measures



Dimensions



Weight

Environmental profile



50,000hrs



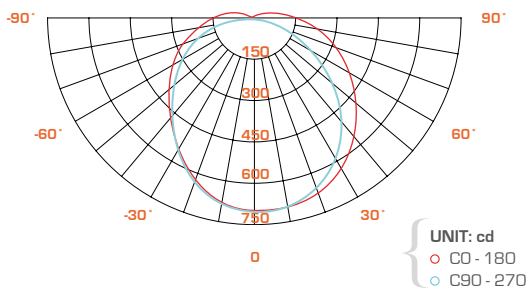
FREE Mercury

Materials

- Stainless steel fastening clamp and screw set
- Polycarbonate diffuser
- Polycarbonate ends
- PG 13.5 cable glands
- (tightening capacity Ø Min 7mm - Ø Max 12mm)
- Feed-through cable

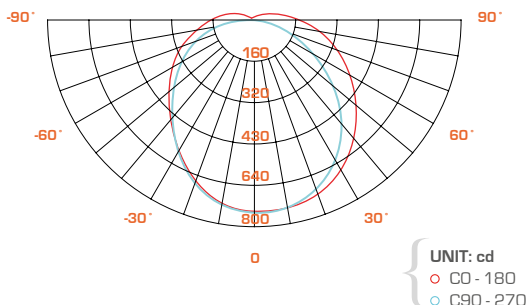
Luminous intensity distribution diagram & illuminance

Neutral White

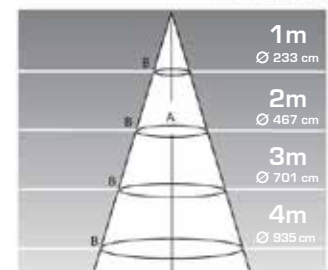


	A (lux)	B (lux)
1m	709	274
2m	177	68
3m	78	30
4m	44	17

Cold White



	A (lux)	B (lux)
1m	750	297
2m	187	74
3m	83	33
4m	46	18



LuciPark

120cm 30W



LuciPark



960°



120°

IP65

IK08



- Ideal waterproof light (IP65) for car parks, basements, warehouses, workshops, cold rooms (-20°C to +45°C) etc.
- Lifespan: 50,000 hours
- Unlimited number of ignition / extinction cycles
- Instant start
- Fixing straps and transversal cabling for hassle-free and quick installation
- Diffuser ensuring a homogeneous light and excellent glare control
- Possibility to install series of up to 50 LuciParks



Product References

		KELVINS	LUMENS
LSDS30BN120	3 760 179 401 981	NW : 4000 K	2300 Lm
LSDS30BF120	3 760 179 403 367	CW : 6000 K	2520 Lm

Office Bureau	Shop Commerce	Hospitality Café, Hôtel & Restaurant	Education Education
Healthcare Santé	Industry Industrie	Showroom Espace d'exposition	Outdoor Lighting Eclairage extérieur

Characteristics

Type	Waterproof light
Number of LED	84
CRI	85

Power consumption

35W

Power supply

230V

50 - 60Hz

Certifications



LVD EN 60598-1
EN 60598-2-2

EMC EN 61547 ; EN 61000-3-2
EN 61000-3-3 ; EN 55015

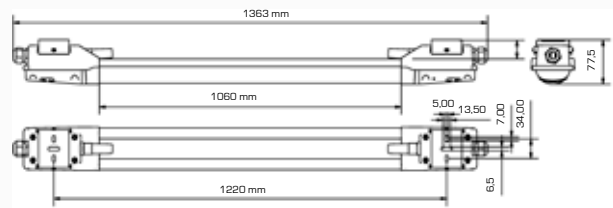
PBS EN 62471

RoHS

Driver

- Sold with standard driver

Measures



Dimensions



Weight

Environmental profile



50,000hrs



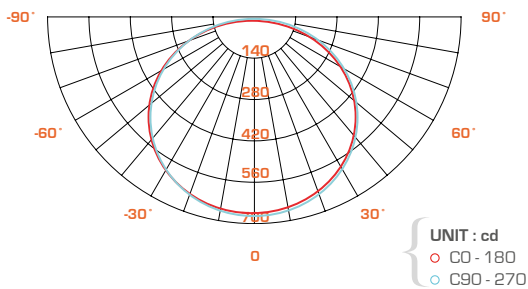
FREE Mercury

Materials

- Stainless steel fastening clamp and screw set
- Polycarbonate diffuser
- Polycarbonate ends
- PG 13.5 cable glands
(tightening capacity Ø Min 7mm - Ø Max 12mm)
- Feed-through cable

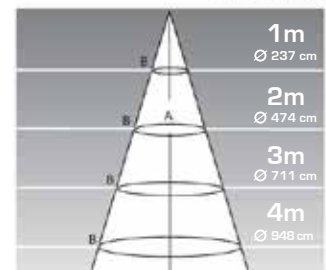
Luminous intensity distribution diagram & illuminance

Neutral White

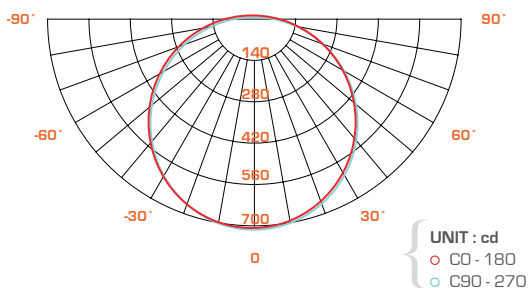


	A (lux)	B (lux)
1m	677	263
2m	169	65
3m	75	29
4m	42	16

A max value
B average value



Cold White



	A (lux)	B (lux)
1m	740	285
2m	185	71
3m	82	32
4m	46	18

LuciPark

120cm 50W



LuciPark



-  IP65
-  960°
-  120°
-  IP65
-  IK08



- Ideal waterproof light (IP65) for car parks, basements, warehouses, workshops, cold rooms (-20°C to +45°C) etc.
- Lifespan: 50,000 hours
- Unlimited number of ignition / extinction cycles
- Instant start
- Fixing straps and transversal cabling for hassle-free and quick installation
- Diffuser ensuring a homogeneous light and excellent glare control
- Possibility to install series of up to 30 LuciParks



Product References

		KELVINS	LUMENS
LSDS50BN120	3 760 179 402 605	NW : 4000 K	3860 Lm
LSDS50BF120	3 760 179 403 374	CW : 6000 K	3875 Lm

 Office Bureau	 Shop Commerce	 Hospitality Café, Hôtel & Restaurant	 Education Education
 Healthcare Santé	 Industry Industrie	 Showroom Espace d'exposition	 Outdoor Lighting Eclairage extérieur



Characteristics

Type	Waterproof light
Number of LED	140
CRI	85

Power consumption

53W

Power supply

230V

50 - 60Hz

Certifications



LVD EN 60598-1
EN 60598-2-2

EMC EN 61547 ; EN 61000-3-2
EN 61000-3-3 ; EN 55015

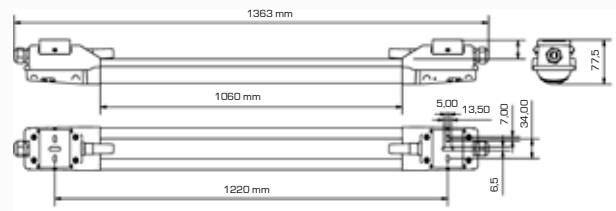
PBS EN 62471

RoHS

Driver

- Sold with standard driver

Measures



Dimensions



Weight

Environmental profile

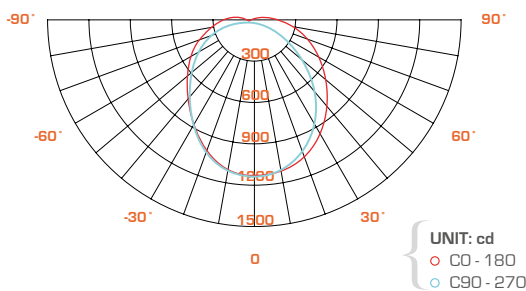


Materials

- Stainless steel fastening clamp and screw set
- Polycarbonate diffuser
- Polycarbonate ends
- PG 13.5 cable glands
(tightening capacity Ø Min 7mm - Ø Max 12mm)
- Feed-through cable

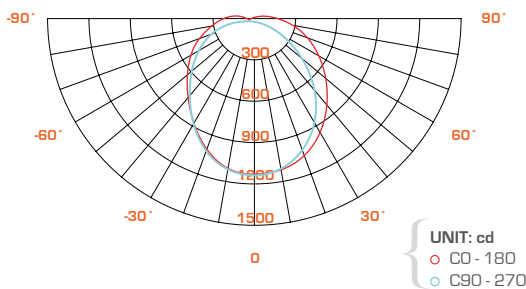
Luminous intensity distribution diagram & illuminance

Neutral White

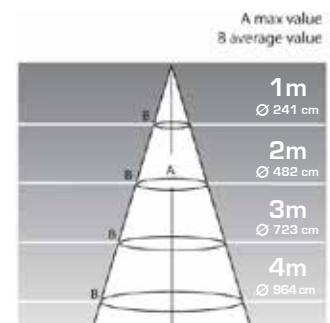


	A [lux]	B [lux]
1m	1174	431
2m	293	107
3m	130	47
4m	73	26

Cold White



	A [lux]	B [lux]
1m	1169	432
2m	292	108
3m	129	48
4m	73	27



LuciBay

50W 90°



LuciBay



- 
-  90°
-  IP65
-  IK08



45°



120°

- Ideal for the industrial lighting
- Operating temperature: -20°C to +45°C
- MeanWell high-temperature driver guarantees high reliability during operation
- Unlimited number of ignition / extinction cycles
- Instant start
- Delivered with a 1.45 m power cable (3x0.75mm²)
- Reflector version: 45° / 120°



Product References

		KELVINS	LUMENS
LHB50NW90	3 760 179 402 407	NW : 4000 K	3760 Lm
LHB50CW90	3 760 179 407 006	CW : 6000 K	3969 Lm

 Office Bureau	 Shop Commerce	 Hospitality Café, Hôtel & restaurant	 Education Education
 Healthcare Santé	 Industry Industrie	 Showroom Espaces d'exposition	 Outdoor Lighting Eclairage extérieur

Characteristics

Type	Pendant structure
Number of LED	1
CRI	> 75

Consumption

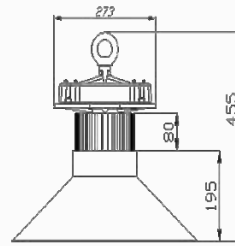
53W

Power supply

230V

50 - 60Hz

Measures



	∅ (mm)
45°	420
90°	500
120°	500



Certifications



LVD EN 60598-1
EN 60598-2-1

EMC EN 61547

EN 61000-3-2 ; 61000-3-3

EN 55015

RoHS

Environmental profile



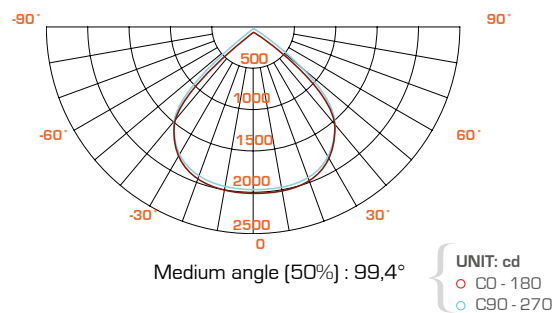
Materials

- Aluminum structure
- Aluminum reflector
- Stainless steel screws

- Fixation by hook
- Anti-corrosion paint
- PG9 packing gland

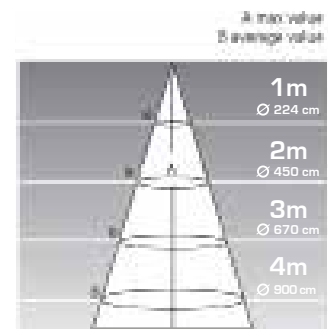
Luminous intensity distribution diagram & illuminance

Neutral White

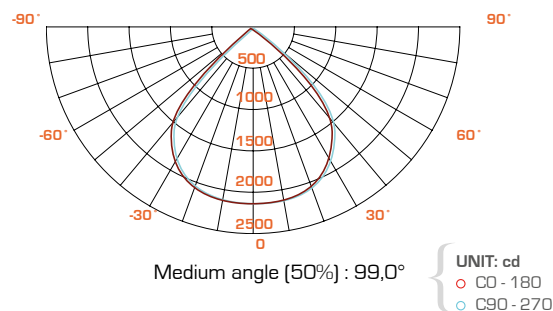


Medium illuminance
(lux)

1m	600
2m	150
3m	66
4m	37



Cold White



Medium illuminance
(lux)

1m	631
2m	158
3m	70
4m	40

LuciBay

80W - 90°



LuciBay



45°



120°

- Ideal for the industrial lighting
- MeanWell high-temperature driver guarantees high reliability during operation
- Operating temperature: -20°C to +45°C
- Unlimited number of ignition / extinction cycles
- Instant start
- Delivered with a 1.45 m power cable (3x0.75mm²)
- Reflector version: 45° / 120°



Product References		KELVINS	LUMENS
LHB80NW90	3 760 179 400 175	NW : 4000 K	5 932Lm
LHB80CW90	3 760 179 407 075	CW : 6000 K	6 436 Lm

Office Bureau	Shop Commerce	Hospitality Café, Hôtel & restaurant	Education Education
Healthcare Santé	Industry Industrie	Showroom Espaces d'exposition	Outdoor Lighting Eclairage extérieur

Characteristics

Type	Pendant structure
Number of LED	1
CRI	> 75

Consumption

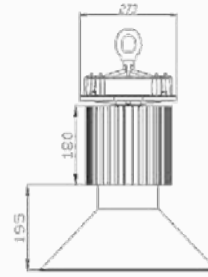
78.5W

Power supply

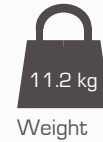
230V

50 - 60Hz

Measures



	Ø (mm)
45°	420
90°	500
120°	500



Weight

Certifications



LVD EN 60598-1
EN 60598-2-1

EMC EN 61547

EN 61000-3-2 ; 61000-3-3

EN 55015

RoHS

Environmental profile

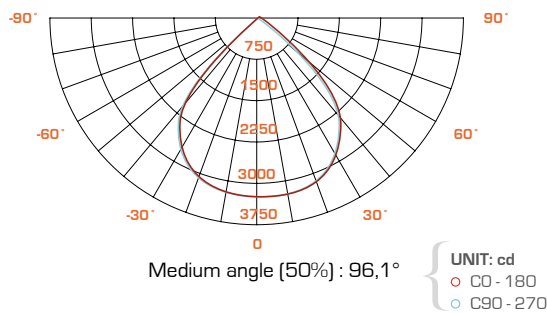


Materials

- Aluminum structure
- Aluminum reflector
- Stainless steel screws
- Fixation by hook
- Anti-corrosion paint
- PG9 packing gland

Luminous intensity distribution diagram & illuminance

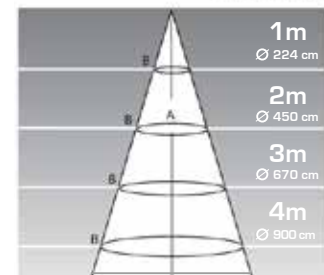
Neutral White



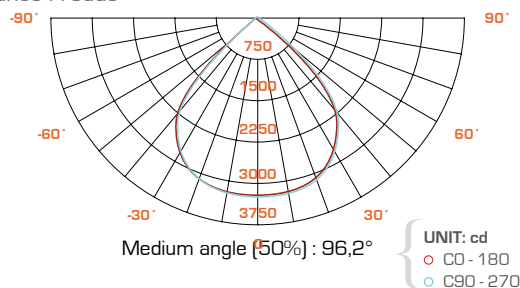
Medium illuminance (lux)

1m	944
2m	236
3m	105
4m	59

A max value
B average value



Cold White
Bianco Freddo



Medium illuminance (lux)

1m	1024
2m	256
3m	114
4m	64

LuciBay

100W 90°



LuciBay



- 90°
- IP65
- IK08



45°



120°

- Ideal for the industrial lighting
- Operating temperature: -20°C to +45°C
- MeanWell high-temperature driver guarantees high reliability during operation
- Unlimited number of ignition / extinction cycles
- Instant start
- Delivered with a 1.45 m power cable [3x0.75mm²]
- Reflector version: 45° / 120°



Product References

		KELVINS	LUMENS
LHB100NW90	3 760 179 407 013	NW : 4000 K	7160 Lm
LHB100CW90	3 760 179 406 986	CW : 6000 K	7560 Lm

Office Bureau	Shop Commerce	Hospitality Café, Hôtel & restaurant	Education Education
Healthcare Santé	Industry Industrie	Showroom Espaces d'exposition	Outdoor Lighting Eclairage extérieur

Characteristics

Type	Pendant structure
Number of LED	1
CRI	> 75

Consumption

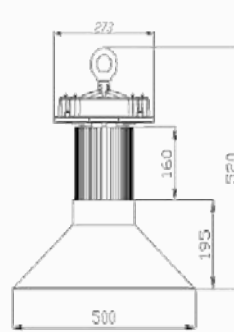
103W

Power supply

230V

50 - 60Hz

Measures



	Ø (mm)
45°	420
90°	500
120°	500



Certifications



LVD EN 60598-1
EN 60598-2-1

EMC EN 61547

EN 61000-3-2 ; 61000-3-3

EN 55015

RoHS

Environmental profile



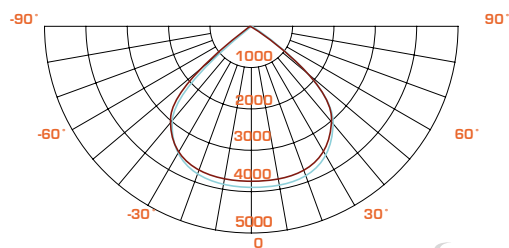
Materials

- Aluminum structure
- Aluminum reflector
- Stainless steel screws

- Fixation by hook
- Anti-corrosion paint
- PG9 packing gland

Luminous intensity distribution diagram & illuminance

Neutral White



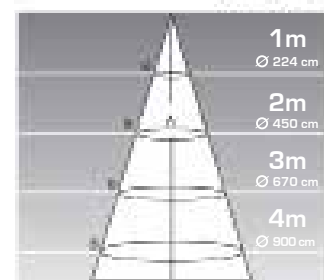
Medium angle [50%] : 99,2°

UNIT: cd
 ○ CO - 180
 ○ C90 - 270

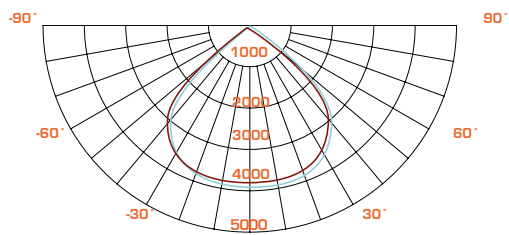
Medium illuminance (lux)

1m	1140
2m	285
3m	127
4m	71

A max value
B average value



Cold White



Medium angle [50%] : 98,4°

UNIT: cd
 ○ CO - 180
 ○ C90 - 270

Medium illuminance (lux)

1m	1203
2m	301
3m	134
4m	75

LuciBay

120W - 90°



LuciBay



45°



120°

- Ideal for the industrial lighting
- MeanWell high-temperature driver guarantees high reliability during operation
- Operating temperature: -20°C to +45°C
- Unlimited number of ignition / extinction cycles
- Instant start
- Delivered with a 1.45 m power cable (3x0.75mm²)
- Reflector version: 45° / 120°

Product References

Product References		KELVINS	LUMENS
LHB120NW90	3 760 179 400 236	NW : 4000 K	9 312 Lm
LHB120CW90	3 760 179 400 229	CW : 6000 K	9 830 Lm



Office
Bureau



Shop
Commerce



Hospitality
Café, Hôtel & restaurant



Education
Education



Healthcare
Santé



Industry
Industrie



Showroom
Espaces d'exposition



Outdoor Lighting
Eclairage extérieur

Characteristics

Type	Pendant structure
Number of LED	1
CRI	> 75

Consumption

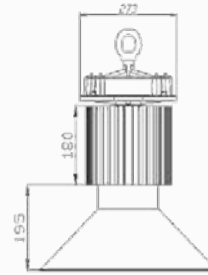
120W

Power supply

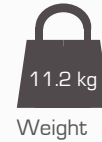
230V

50 - 60Hz

Measures



	Ø (mm)
45°	420
90°	500
120°	500



Certifications



LVD EN 60598-1
EN 60598-2-1

EMC EN 61547

EN 61000-3-2 ; 61000-3-3

EN 55015

RoHS

Environmental profile

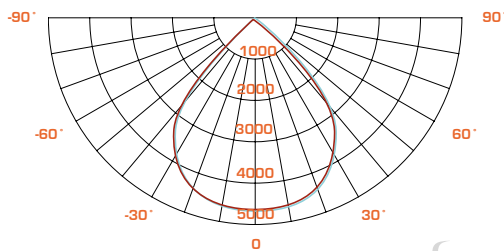


Materials

- Aluminum structure
- Aluminum reflector
- Stainless steel screws
- Fixation by hook
- Anti-corrosion paint
- PG9 packing gland

Luminous intensity distribution diagram & illuminance

Neutral White

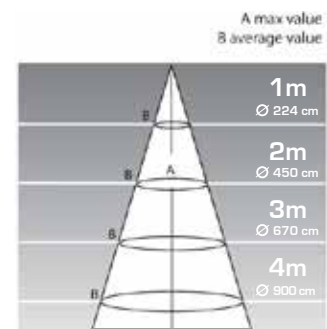


Medium angle (50%) : 93,4°

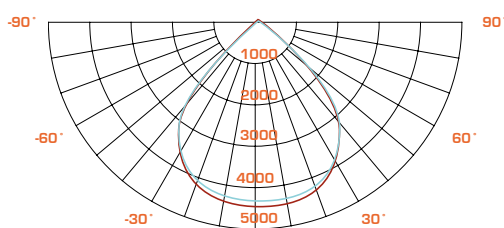
UNIT: cd
 ○ CO - 180
 ○ C90 - 270

Medium illuminance (lux)

1m	1482
2m	370
3m	165
4m	93



Cold White



Medium angle (50%) : 93,8°

UNIT: cd
 ○ CO - 180
 ○ C90 - 270

Medium illuminance (lux)

1m	1564
2m	391
3m	174
4m	98

LuciBay

150W 90°



LuciBay



-  Power plug
-  90°
-  IP65
-  IK08



- Ideal for the industrial lighting
- Operating temperature: -20°C to +45°C
- MeanWell high-temperature driver guarantees high reliability during operation
- Unlimited number of ignition / extinction cycles
- Instant start
- Delivered with a 1.45 m power cable (3x0.75mm²)
- Reflector version: 45° / 120°



45°



120°

Product References

		KELVINS	LUMENS
LHB150NW90	3 760 179 402 384	NW : 4000 K	11 377 Lm
LHB150CW90	3 760 179 402 223	CW : 6000 K	12 131 Lm

 Office Bureau	 Shop Commerce	 Hospitality Café, Hôtel & restaurant	 Education Education
 Healthcare Santé	 Industry Industrie	 Showroom Espaces d'exposition	 Outdoor Lighting Eclairage extérieur

Characteristics

Type	Pendant structure
Number of LED	1
CRI	> 75

Consumption

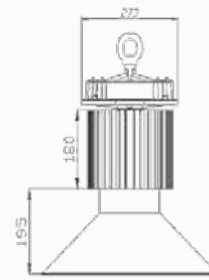
154W

Power supply

230V

50 - 60Hz

Measures



	Ø (mm)
45°	420
90°	500
120°	500



11,2 kg

Weight

Certifications



LVD EN 60598-1
EN 60598-2-1

EMC EN 61547

EN 61000-3-2 ; 61000-3-3

EN 55015

RoHS

Environmental profile

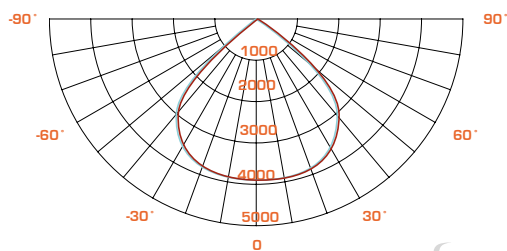


Materials

- Aluminum structure
- Aluminum reflector
- Stainless steel screws
- Fixation by hook
- Anti-corrosion paint
- PG9 packing gland

Luminous intensity distribution diagram & illuminance

Neutral White



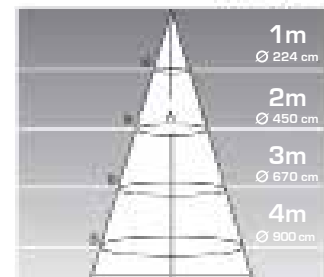
Medium angle (50%) : 99,2°

UNIT: cd
 ○ CO - 180
 ○ C90 - 270

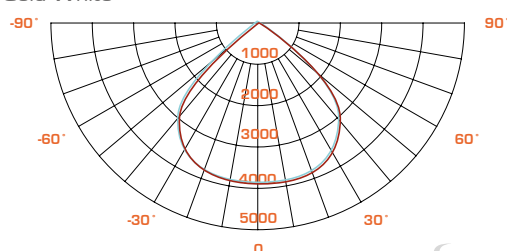
Medium illuminance (lux)

1m	1850
2m	477
3m	205
4m	116

A: max value
B: average value



Cold White



Medium angle (50%) : 97,9°

UNIT: cd
 ○ CO - 180
 ○ C90 - 270

Medium illuminance (lux)

1m	1930
2m	483
3m	215
4m	120

LuciBay

200W - 90°



LuciBay



45°



120°

- Ideal for the industrial lighting
- MeanWell high-temperature driver guarantees high reliability during operation
- Operating temperature: -20°C to +45°C
- Unlimited number of ignition / extinction cycles
- Instant start
- Delivered with a 1.45 m power cable (3x0.75mm²)
- Reflector version: 45° / 120°



Product References

Product References		KELVINS	LUMENS
LHB200NW90	3 760 179 400 205	NW : 4000 K	14 600 Lm
LHB200CW90	3 760 179 400 199	CW : 6000 K	15 450 Lm



Office
Bureau



Shop
Commerce



Hospitality
Café, Hôtel & restaurant



Education
Education



Healthcare
Santé



Industry
Industrie



Showroom
Espaces d'exposition



Outdoor Lighting
Eclairage extérieur

Characteristics

Type	Pendant structure
Number of LED	1
CRI	> 75

Consumption

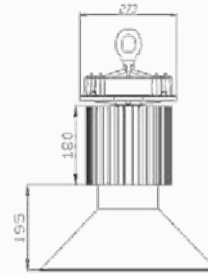
207W

Power supply

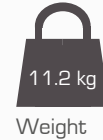
230V

50 - 60Hz

Measures



	Ø (mm)
45°	420
90°	500
120°	500



Weight

Certifications



LVD EN 60598-1
EN 60598-2-1

EMC EN 61547

EN 61000-3-2 ; 61000-3-3

EN 55015

RoHS

Environmental profile

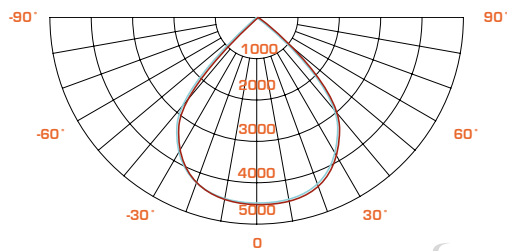


Materials

- Aluminum structure
- Aluminum reflector
- Stainless steel screws
- Fixation by hook
- Anti-corrosion paint
- PG9 packing gland

Luminous intensity distribution diagram & illuminance

Neutral White



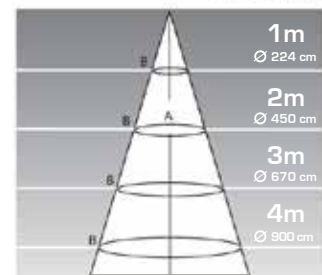
Medium angle (50%) : 99,1°

UNIT: cd
 ○ C0 - 180
 ○ C90 - 270

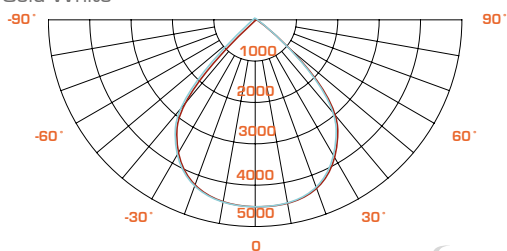
Medium illuminance (lux)

1m	2324
2m	581
3m	258
4m	145

A max value
B average value



Cold White



Medium angle (50%) : 98,8°

UNIT: cd
 ○ C0 - 180
 ○ C90 - 270

Medium illuminance (lux)

1m	2460
2m	615
3m	273
4m	154

LuciFlood

10W



LuciFlood



- Ideal for lighting displays
- Operating temperature: -20°C to +45°C
- Unlimited number of ignition / extinction cycles
- Instant start
- Delivered with a 1 m power cable (3x0.75mm²)
- Gray and standard painted aluminum structure (white and black available on demand)



Product References

		KELVINS	LUMENS
LFL10WW90	3 760 179 407 068	WW : 2800 K	540 Lm
LFL10NW90	3 760 179 405 736	NW : 4000 K	870 Lm
LFL10CW90	3 760 179 405 743	CW : 6000 K	880 Lm

 Office Bureau	 Shop Commerce	 Hospitality Café, Hôtel & restaurant	 Education Education
 Healthcare Santé	 Industry Industrie	 Showroom Espaces d'exposition	 Outdoor Lighting Eclairage extérieur

Characteristics

Type	Floodlight
Number of LED	1
CRI	> 75

Consumption

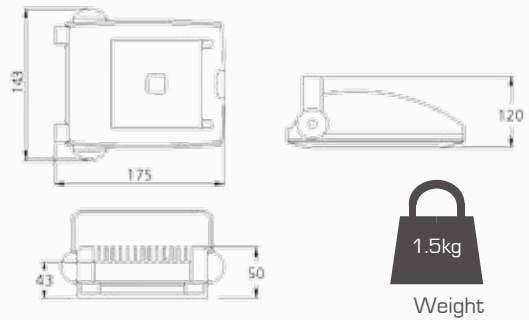
11W

Power supply

230V

50- 60Hz

Measures



Certifications



LVD EN 60598-1
EN 60598-2-5

EMC EN 61000-3-2
EN 61000-3-3
EN 55015

RoHS

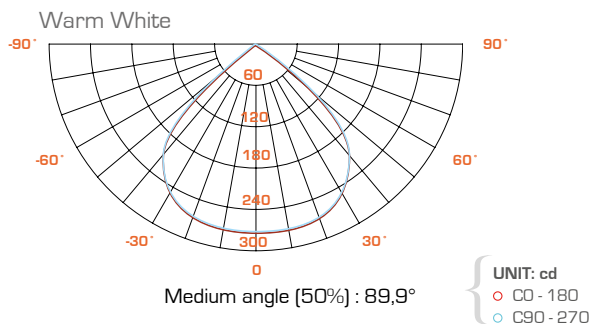
Environmental profile



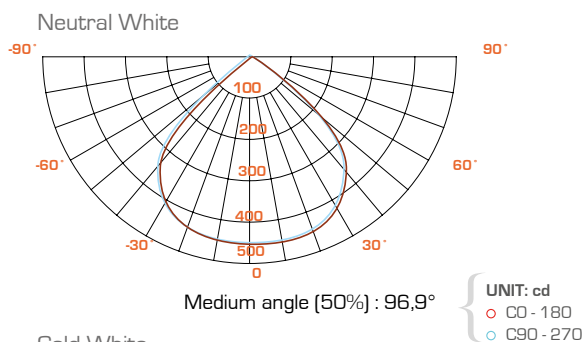
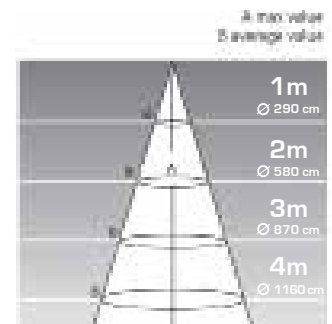
Materials

- Aluminum fixing strap and body
- 5 mm thick tempered sand carved glass
- Stainless steel screws
- Spotlight adjustment through graduation scale located on sides of spotlight
- Anti-corrosion paint
- PG9 packing gland

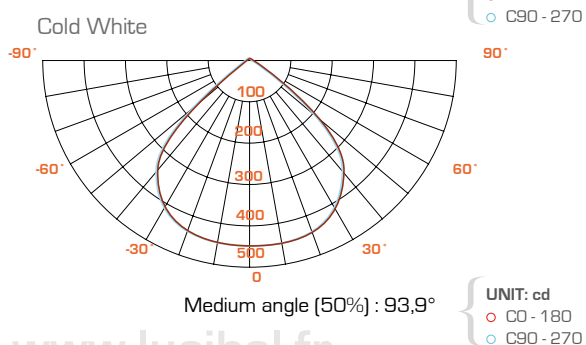
Luminous intensity distribution diagram & illuminance



	A (lux)	B (lux)
1m	267	113
2m	67	29
3m	30	13
4m	17	8



	A (lux)	B (lux)
1m	410	157
2m	102	40
3m	46	18
4m	26	10



	A (lux)	B (lux)
1m	430	170
2m	110	43
3m	48	18
4m	27	11

LuciFlood

30W



LuciFlood



- Ideal for lighting urban areas, non-residential buildings and industrial buildings...
- Operating temperature: -20°C to +45°C
- MeanWell high-temperature driver guarantees high reliability during operation
- Unlimited number of ignition / extinction cycles
- Instant start
- Delivered with a 1 m power cable (3x0.75mm²)
- Gray and standard painted aluminum structure (white and black available on demand)



Product References

		KELVINS	LUMENS
LFL30WW90	3 760 179 405 699	WW : 2800 K	1820 Lm
LFL30NW90	3 760 179 405 705	NW : 4000 K	2070 Lm
LFL30CW90	3 760 179 405 712	CW : 6000 K	2100 Lm

Office Bureau	Shop Commerce	Hospitality Café, Hôtel & restaurant	Education Education
Healthcare Santé	Industry Industrie	Showroom Espaces d'exposition	Outdoor Lighting Eclairage extérieur

Characteristics

Type	Floodlight
Number of LED	1
CRI	> 75

Consumption

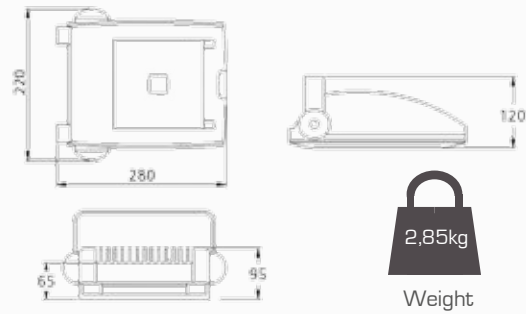
31W

Power supply

230V

50 - 60Hz

Measures



Certifications



LVD EN 60598-1
EN 60598-2-5
EMC EN 61000-3-2
EN 61000-3-3
EN 55015

RoHS

Environmental profile

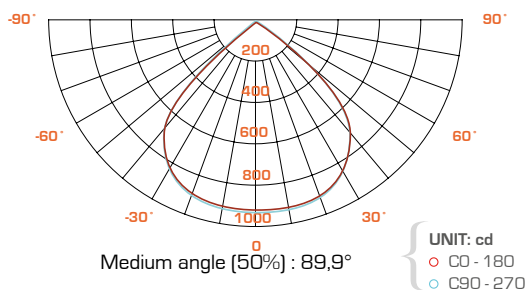


Materials

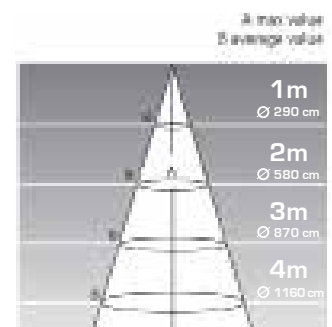
- Aluminum fixing strap and body
- 5 mm thick tempered sand carved glass
- Stainless steel screws
- Spotlight adjustment through graduation scale located on sides of spotlight
- Anti-corrosion paint
- PG9 packing gland

Luminous intensity distribution diagram & illuminance

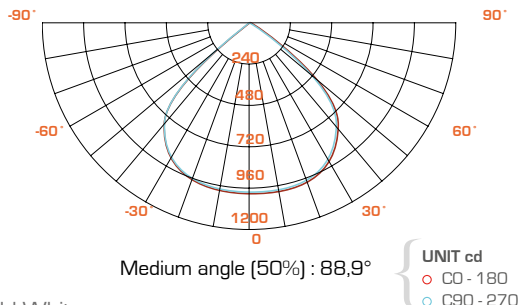
Warm White



	A (lux)	B (lux)
1m	917	385
2m	230	95
3m	102	43
4m	58	24

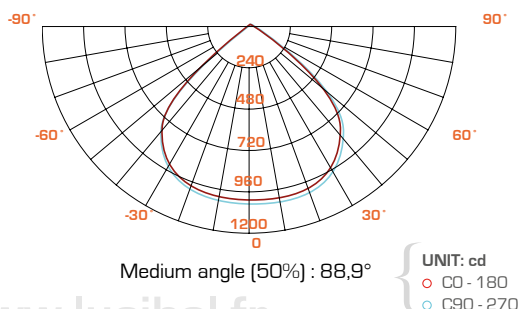


Neutral White



	A (lux)	B (lux)
1m	1060	445
2m	265	111
3m	118	50
4m	66	27

Cold White



	A (lux)	B (lux)
1m	1075	450
2m	270	113
3m	120	50
4m	70	28

LuciFlood

50W



LuciFlood



- Ideal for lighting urban areas, non-residential buildings and industrial buildings...
- Operating temperature: -20°C to +45°C
- MeanWell high-temperature driver guarantees high reliability during operation
- Unlimited number of ignition / extinction cycles
- Instant start
- Delivered with a 1 m power cable (3x0.75mm²)
- Gray and standard painted aluminum structure (white and black available on demand)



Product References

		KELVINS	LUMENS
LFL50WW90	3 760 179 405 668	WW : 2800 K	3070 Lm
LFL50NW90	3 760 179 405 675	NW : 4000 K	3300 Lm
LFL50CW90	3 760 179 405 682	CW : 6000 K	3400 Lm



Office
Bureau



Shop
Commerce



Hospitality
Café, Hôtel & restaurant



Education
Education



Healthcare
Santé



Industry
Industrie



Showroom
Espaces d'exposition



Outdoor Lighting
Eclairage extérieur

Characteristics

Type	Floodlight
Number of LED	1
CRI	> 75

Consumption

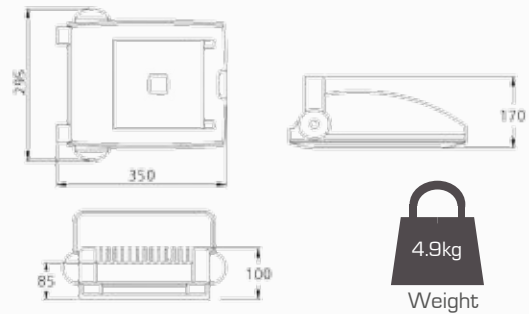
50W

Power supply

230V

50 - 60Hz

Measures



4.9kg
Weight

Certifications



LVD EN 60598-1
EN 60598-2-5

EMC EN 61000-3-2
EN 61000-3-3
EN 55015

RoHS

Environmental profile

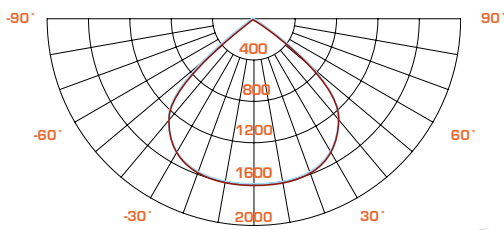


Materials

- Aluminum fixing strap and body
- 5 mm thick tempered sand carved glass
- Stainless steel screws
- Spotlight adjustment through graduation scale located on sides of spotlight
- Anti-corrosion paint
- PG9 packing gland

Luminous intensity distribution diagram & illuminance

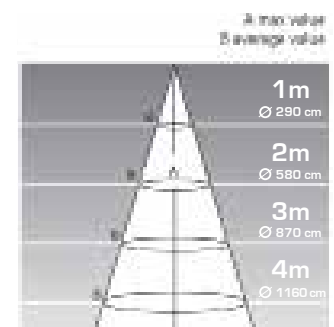
Warm White



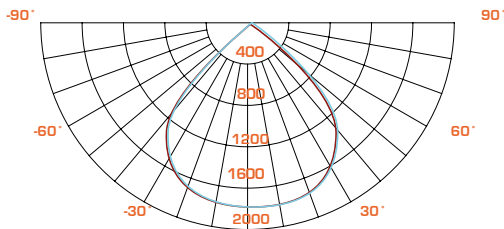
Medium angle (50%) : 84,8°

UNIT: cd
○ C0 - 180
○ C90 - 270

	A (lux)	B (lux)
1m	1670	662
2m	420	166
3m	185	74
4m	104	41



Neutral White

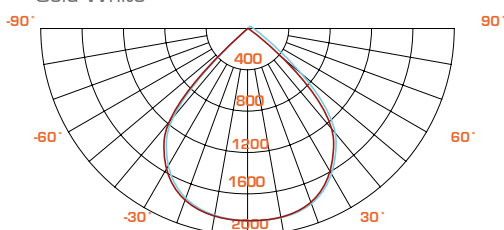


Medium angle (50%) : 85,0°

UNIT: cd
○ C0 - 180
○ C90 - 270

	A (lux)	B (lux)
1m	1810	715
2m	455	180
3m	202	79
4m	114	45

Cold White



Medium angle (50%) : 84,9°

UNIT: cd
○ C0 - 180
○ C90 - 270

	A (lux)	B (lux)
1m	1850	726
2m	462	182
3m	206	81
4m	116	46

LuciFlood

80W



LuciFlood



- Ideal for lighting urban areas, non-residential buildings and industrial buildings...
- Operating temperature: -20°C to +45°C
- MeanWell high-temperature driver guarantees high reliability during operation
- Unlimited number of ignition / extinction cycles
- Instant start
- Delivered with a 1 m power cable (3x0.75mm²)
- Gray and standard painted aluminum structure (white and black available on demand)



Product References

		KELVINS	LUMENS
LFL80WW90	3 760 179 405 637	WW : 2800 K	4790 Lm
LFL80NW90	3 760 179 405 644	NW : 4000 K	4900 Lm
LFL80CW90	3 760 179 405 651	CW : 6000 K	5550 Lm

Office Bureau	Shop Commerce	Hospitality Café, Hôtel & restaurant	Education Education
Healthcare Santé	Industry Industrie	Showroom Espaces d'exposition	Outdoor Lighting Eclairage extérieur

Characteristics

Type	Floodlight
Number of LED	1
CRI	> 75

Consumption

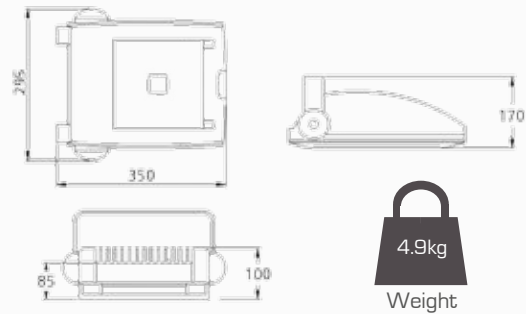
80W

Power supply

230V

50 - 60Hz

Measures



Certifications



LVD EN 60598-1
EN 60598-2-5

EMC EN 61000-3-2
EN 61000-3-3
EN 55015

RoHS

Environmental profile



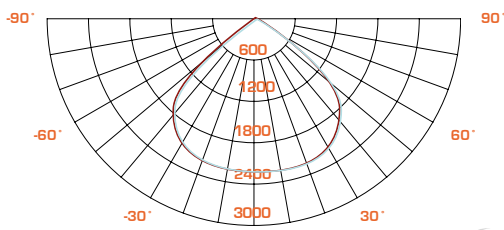
Materials

- Aluminum fixing strap and body
- 5 mm thick tempered sand carved glass
- Stainless steel screws

- Spotlight adjustment through graduation scale located on sides of spotlight
- Anti-corrosion paint
- PG9 packing gland

Luminous intensity distribution diagram & illuminance

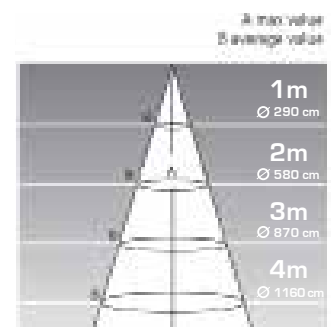
Warm White



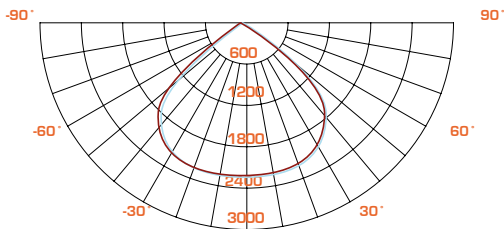
Medium angle (50%) : 84,4°

UNIT: cd
○ C0 - 180
○ C90 - 270

	A (lux)	B (lux)
1m	2610	1035
2m	653	260
3m	290	115
4m	163	65



Neutral White

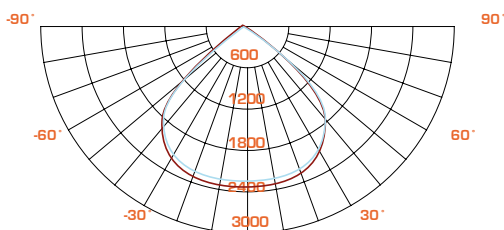


Medium angle (50%) : 84,0°

UNIT: cd
○ C0 - 180
○ C90 - 270

	A (lux)	B (lux)
1m	2795	1100
2m	699	275
3m	310	123
4m	175	69

Cold White



Medium angle (50%) : 85,9°

UNIT: cd
○ C0 - 180
○ C90 - 270

	A (lux)	B (lux)
1m	3008	1208
2m	752	302
3m	334	134
4m	188	76

LuciFlood

100W



LuciFlood



- Ideal for lighting urban areas, non-residential buildings and industrial buildings...
- Operating temperature: -20°C to +45°C
- MeanWell high-temperature driver guarantees high reliability during operation
- Unlimited number of ignition / extinction cycles
- Instant start
- Delivered with a 1 m power cable (3x0.75mm²)
- Gray and standard painted aluminum structure (white and black available on demand)

Product References

		KELVINS	LUMENS
LFL100WW90	3 760 179 407 273	WW : 2800 K	5760 Lm
LFL100NW90	3 760 179 407 280	NW : 4000 K	6370 Lm
LFL100CW90	3 760 179 406 993	CW : 6000 K	6550 Lm

Office Bureau	Shop Commerce	Hospitality Café, Hôtel & restaurant	Education Education
Healthcare Santé	Industry Industrie	Showroom Espaces d'exposition	Outdoor Lighting Eclairage extérieur

Characteristics

Type	Floodlight
Number of LED	2
CRI	> 75

Consumption

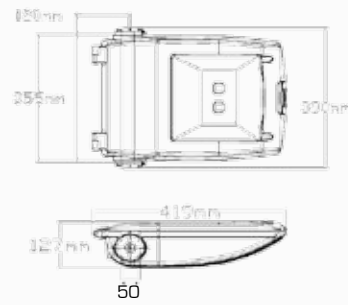
100W

Power supply

230V

50 - 60Hz

Measures



Weight

Certifications



LVD EN 60598-1
EN 60598-2-5

EMC EN 61000-3-2
EN 61000-3-3
EN 55015

RoHS

Environmental profile

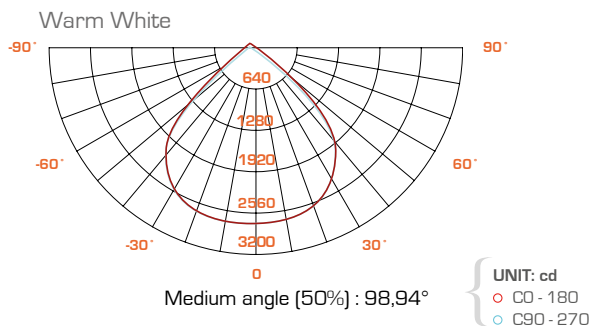


Materials

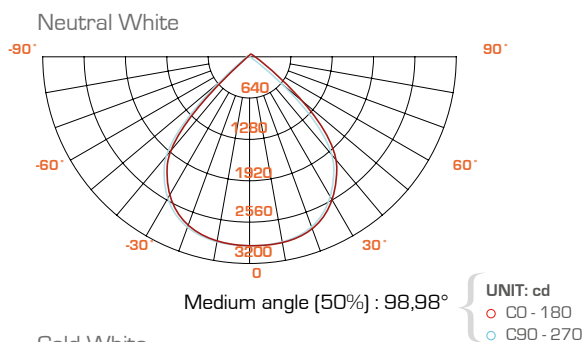
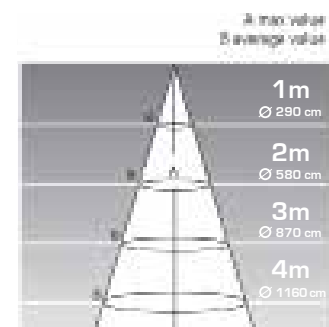
- Aluminum fixing strap and body
- 5 mm thick tempered sand carved glass
- Stainless steel screws

- Spotlight adjustment through graduation scale located on sides of spotlight
- Anti-corrosion paint
- PG9 packing gland

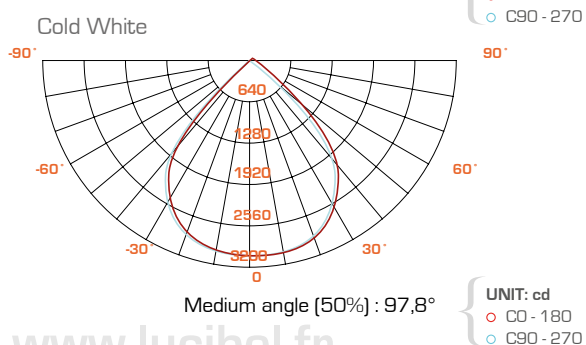
Luminous intensity distribution diagram & illuminance



	A (lux)	B (lux)
1m	2901	1023
2m	717	280
3m	302	102
4m	179	70



	A (lux)	B (lux)
1m	3040	1130
2m	760	283
3m	337	125
4m	190	71



	A (lux)	B (lux)
1m	3172	1166
2m	793	292
3m	352	130
4m	198	73

LuciFlood

120W



LuciFlood



-  90°
-  IP65
-  IK08



- Ideal for lighting urban areas, non-residential buildings and industrial buildings...
- Operating temperature: -20°C to +45°C
- MeanWell high-temperature driver guarantees high reliability during operation
- Unlimited number of ignition / extinction cycles
- Instant start
- Delivered with a 1 m power cable (3x0.75mm²)
- Gray and standard painted aluminum structure (white and black available on demand)

Product References

		KELVINS	LUMENS
LFL120WW90	3 760 179 407 242	WW : 2800 K	7140 Lm
LFL120NW90	3 760 179 407 259	NW : 4000 K	7280 Lm
LFL120CW90	3 760 179 407 266	CW : 6000 K	8090 Lm

 Office Bureau	 Shop Commerce	 Hospitality Café, Hôtel & restaurant	 Education Education
 Healthcare Santé	 Industry Industrie	 Showroom Espaces d'exposition	 Outdoor Lighting Eclairage extérieur

Characteristics

Type	Floodlight
Number of LED	2
CRI	> 75

Consumption

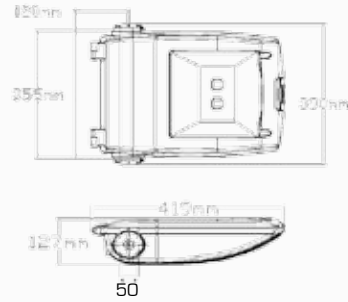
120W

Power supply

230V

50 - 60Hz

Measures



7.6kg

Weight

Certifications



LVD EN 60598-1
EN 60598-2-5
EMC EN 61000-3-2
EN 61000-3-3
EN 55015

RoHS

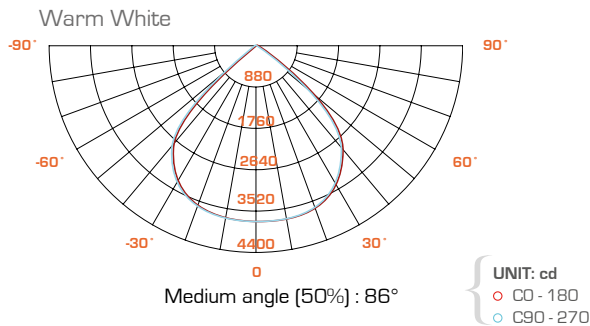
Environmental profile



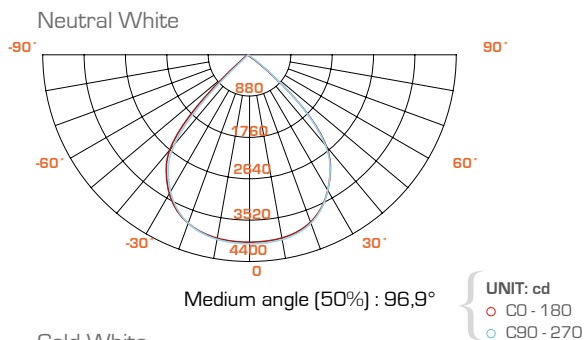
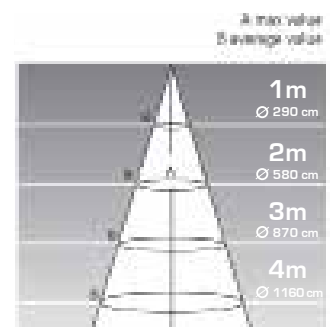
Materials

- Aluminum fixing strap and body
- 5 mm thick tempered sand carved glass
- Stainless steel screws
- Spotlight adjustment through graduation scale located on sides of spotlight
- Anti-corrosion paint
- PG9 packing gland

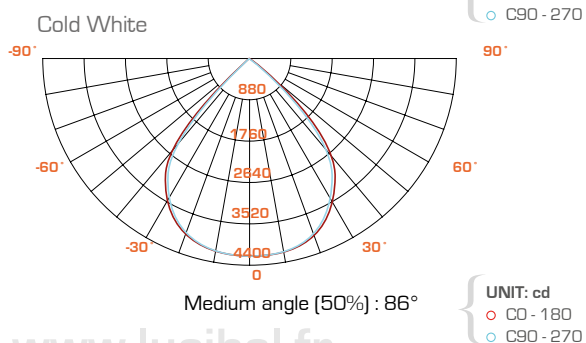
Luminous intensity distribution diagram & illuminance



	A (lux)	B (lux)
1m	3857	1556
2m	964	390
3m	428	172
4m	241	97



	A (lux)	B (lux)
1m	3976	1700
2m	1014	423
3m	462	186
4m	257	104



	A (lux)	B (lux)
1m	4380	1762
2m	1095	440
3m	486	196
4m	274	110



Sources

Powerlight Eye Protection

6W 15°



Powerlight



960°

15°

IP20

IK02



* the ring is sold separately



- Ideal for accentuation or ambiance lighting and 35W Halogen light bulb replacement (80% energy savings)
- Lifetime : 50 000 hours
- Mounting in fixed or adjustable ring
- Unlimited number of ignition / extinction cycles
- Instant start

Product References

		KELVINS	LUMENS
LP6WW15EP.DS	3 760 179 405 758	WW : 2800 K	365 Lm
LP6NW15EP.DS	3 760 179 405 767	NW : 4000 K	450 Lm
LP6CW15EP.DS	3 760 179 405 774	CW : 6000 K	480 Lm

Driver non included

Office Bureau	Shop Commerce	Hospitality Café, Hôtel & Restaurant	Education Education
Healthcare Santé	Industry Industrie	Showroom Espace d'exposition	Outdoor Lighting Eclairage extérieur

Characteristics

Type	Spot
Number of LED	3 LED x 2W
CRI	85

Consummation

6 W

8,5 W with STD012

Intensity (constant current)

700 mA

Certifications



PBS EN 62471

EMC EN 61547
EN 61000 - 3 - 2
EN 61000 - 3 - 3
EN 55015

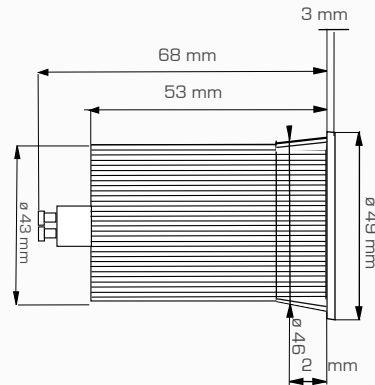
Driver

- Sold separately.
Compatible with :
 - Standard driver STD012
 - Dimmable driver DIM002
 - DALI driver DAL003

Materials

Aluminium
LED components: Cree

Measures



Dimensions



Weight

Environmental profile

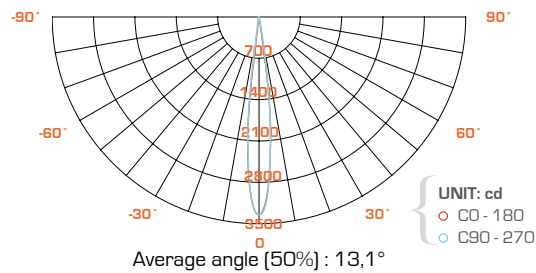


Accessories

- Fixed ring - Brushed steel : CARF055
- Fixed ring - White : CBRF055
- Adjustable ring - Brushed Steel: CAR0071
- Adjustable ring - White: CBR0071
- Waterproof ring : CBRF055IP65

Luminous intensity distribution diagram & illuminance

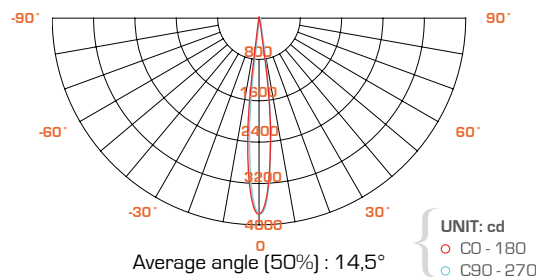
Warm White



A (lux) B (lux)

1m	3393	2321
2m	848	580
3m	377	258
4m	212	145

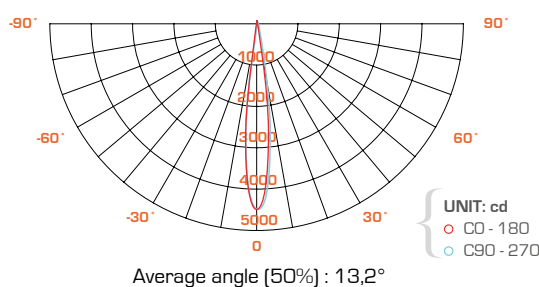
Neutral White



A (lux) B (lux)

1m	3862	2614
2m	966	654
3m	429	291
4m	241	163

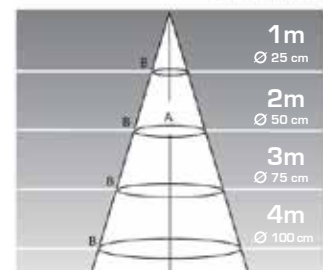
Cold White



A (lux) B (lux)

1m	4557	3098
2m	1139	774
3m	506	344
4m	285	194

A max value
B average value



Powerlight Eye Protection

6W 40°



Powerlight



960°



IP20

IK02



*the ring is sold separately



- Ideal for accentuation or ambience lighting and 35W Halogen light bulb replacement (80% energy savings)
- Lifetime : 50 000 hours
- Mounting in fixed or adjustable ring
- Unlimited number of ignition / extinction cycles
- Instant start

Product References

		KELVINS	LUMENS
LP6WW40EP.DS	3 760 179 405 781	WW : 2800 K	320 Lm
LP6NW40EP.DS	3 760 179 405 798	NW : 4000 K	365 Lm
LP6CW40EP.DS	3 760 179 405 804	CW : 6000 K	415 Lm

Driver non included

Office Bureau	Shop Commerce	Hospitality Café, Hôtel & Restaurant	Education Education
Healthcare Santé	Industry Industrie	Showroom Espace d'exposition	Outdoor Lighting Eclairage extérieur



Characteristics

Type	Spot
Number of LED	3 LED x 2W
CRI	85

Consummation

6 W

8,5 W with STD012

Intensity (constant current)

700 mA

Certifications



PBS EN 62471

EMC EN 61547
EN 61000-3-2
EN 61000-3-3
EN 55015

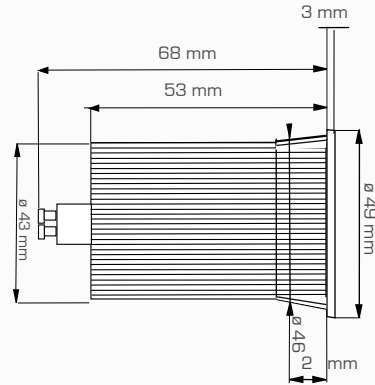
Driver

- Sold separately. Compatible with :
 - Standard driver STD012
 - Dimmable driver DIM002
 - DALI driver DAL003

Materials

Aluminium
LED components: Cree

Measures



Dimensions



Weight

Environmental profile

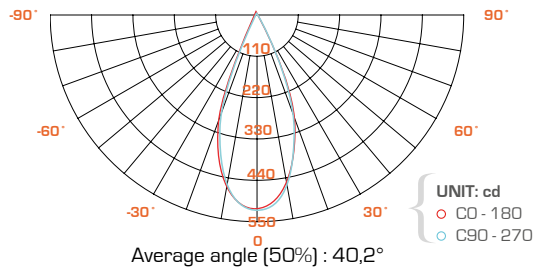


Accessories

- Fixed ring - Brushed steel : CARF055
- Fixed ring - White : CBRF055
- Adjustable ring - Brushed Steel: CAR0071
- Adjustable ring - White: CBRO071
- Waterproof ring : CBRF055IP65

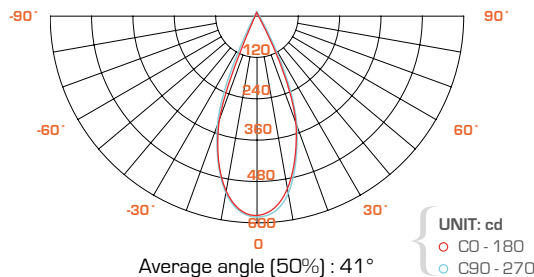
Luminous intensity distribution diagram & illuminance

Warm White



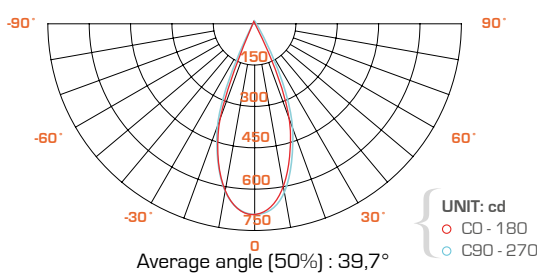
	A (lux)	B (lux)
1m	533	350
2m	133	87
3m	59	39
4m	33	22

Neutral White



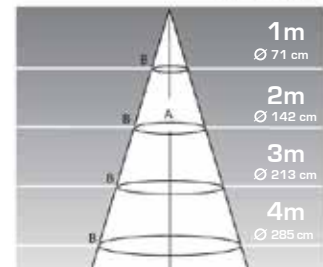
	A (lux)	B (lux)
1m	594	377
2m	149	94
3m	66	42
4m	37	24

Cold White



	A (lux)	B (lux)
1m	708	450
2m	177	113
3m	79	50
4m	44	28

A max value
B average value



Powerlight Eye Protection

8W 15°



Powerlight

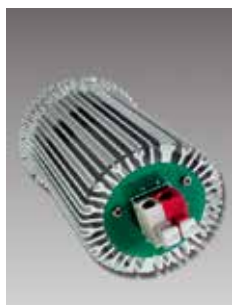


960°

15°

IP20

IK02



*the ring is sold separately



- Ideal for accentuation or ambiance lighting and 50W Halogen light bulb replacement (80% energy savings)
- Lifetime : 50 000 hours
- Mounting in fixed or adjustable ring
- Unlimited number of ignition / extinction cycles
- Instant start

Product References

		KELVINS	LUMENS
LP8WW15EP.DS	3 760 179 405 811	WW : 2800 K	505 Lm
LP8NW15EP.DS	3 760 179 405 828	NW : 4000 K	585 Lm
LP8CW15EP.DS	3 760 179 405 835	CW : 6000 K	635 Lm

Driver non included

Office Bureau	Shop Commerce	Hospitality Café, Hôtel & Restaurant	Education Education
Healthcare Santé	Industry Industrie	Showroom Espace d'exposition	Outdoor Lighting Eclairage extérieur

Characteristics

Type	Spot
Number of LED	4 LED x 2W
CRI	85

Consummation

8 W
10,5 W with STD012

Intensity (constant current)

700 mA

Certifications

CE PBS EN 62471

EMC EN 61547
EN 61000 - 3 - 2
EN 61000 - 3 - 3
EN 55015

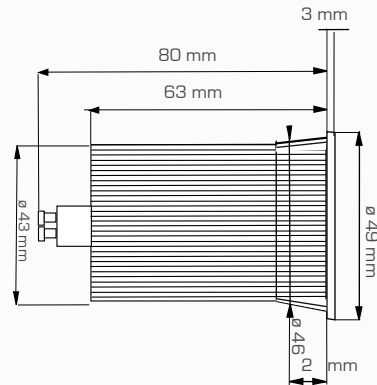
Driver

- Sold separately. Compatible with :
 - Standard driver STD012
 - Dimmable driver DIM002
 - DALI driver DAL003

Materials

Aluminium
LED components: Cree

Measures



Dimensions



Weight

Environmental profile

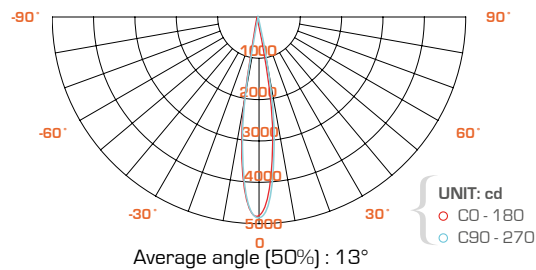


Accessories

- Fixed ring - Brushed steel : CARF055
- Fixed ring - White : CBRF055
- Adjustable ring - Brushed Steel: CAR0071
- Adjustable ring - White: CBRO071
- Waterproof ring : CBRF055IP65

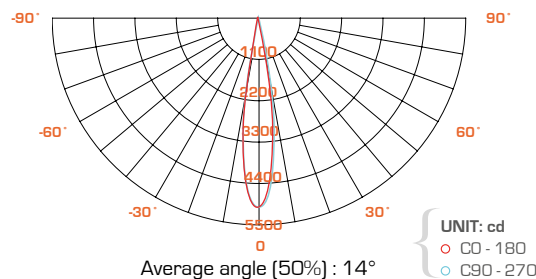
Luminous intensity distribution diagram & illuminance

Warm White



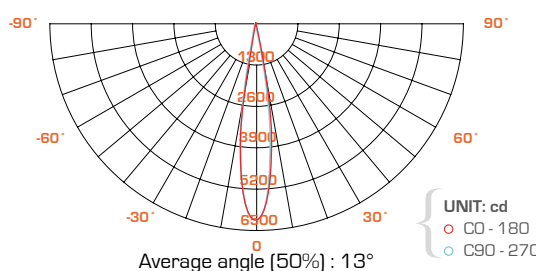
	A (lux)	B (lux)
1m	4896	3224
2m	1224	806
3m	544	358
4m	306	202

Neutral White



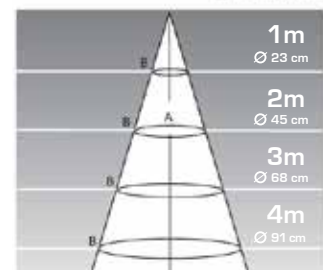
	A (lux)	B (lux)
1m	5102	3641
2m	1276	910
3m	567	405
4m	319	228

Cold White



	A (lux)	B (lux)
1m	6318	4213
2m	1580	1053
3m	702	468
4m	395	263

A max value
B average value



Powerlight Eye Protection

8W 40°



Powerlight

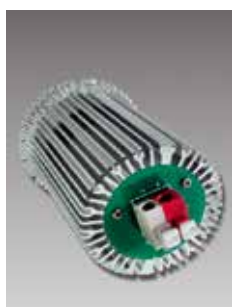


960°



IP20

IK02



*the ring is sold separately

- Ideal for accentuation or ambiance lighting and 50W Halogen light bulb replacement (80% energy savings)
- Lifetime : 50 000 hours
- Mounting in fixed or adjustable ring
- Unlimited number of ignition / extinction cycles
- Instant start

Product References

		KELVINS	LUMENS
LP8WW40EP.DS	3 760 179 405 842	WW : 2800 K	420 Lm
LP8NW40EP.DS	3 760 179 405 859	NW : 4000 K	500 Lm
LP8CW40EP.DS	3 760 179 405 866	CW : 6000 K	545 Lm

Driver non included

Office Bureau	Shop Commerce	Hospitality Café, Hôtel & Restaurant	Education Education
Healthcare Santé	Industry Industrie	Showroom Espace d'exposition	Outdoor Lighting Eclairage extérieur

Characteristics

Type	Spot
Number of LED	4 LED x 2W
CRI	85

Consummation

8 W	
10,5 W	with STD012

Intensity (constant current)

700 mA

Certifications



PBS EN 62471

EMC EN 61547
EN 61000 - 3 - 2
EN 61000 - 3 - 3
EN 55015

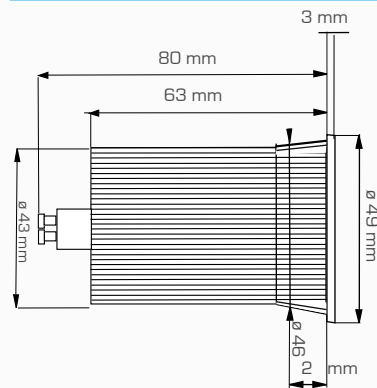
Driver

- Sold separately.
Compatible with :
 - Standard driver STD012
 - Dimmable driver DIM002
 - DALI driver DAL003

Materials

Aluminium
LED components: Cree

Measures



Dimensions



Weight

Environmental profile

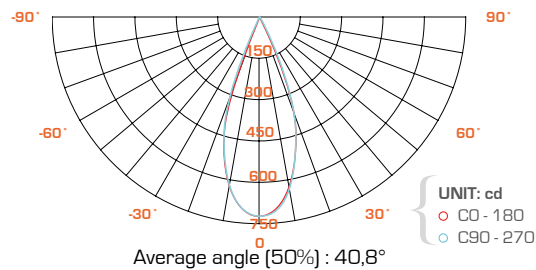


Accessories

- Fixed ring - Brushed steel : CARF055
- Fixed ring - White : CBRF055
- Adjustable ring - Brushed Steel: CAR0071
- Adjustable ring - White: CBR0071
- Waterproof ring : CBRF055IP65

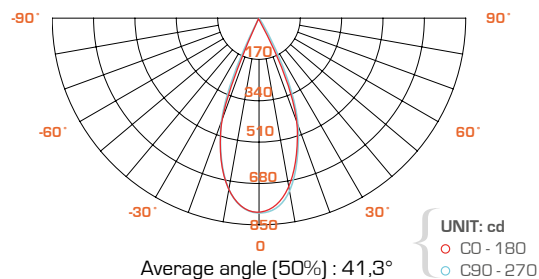
Luminous intensity distribution diagram & illuminance

Warm White



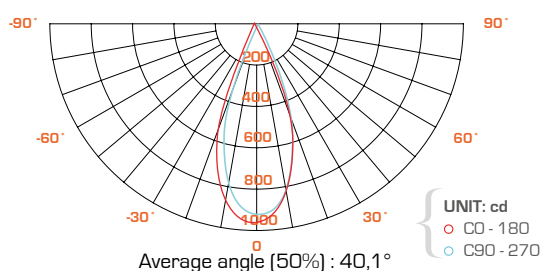
	A (lux)	B (lux)
1m	710	454
2m	178	113
3m	79	50
4m	44	28

Neutral White



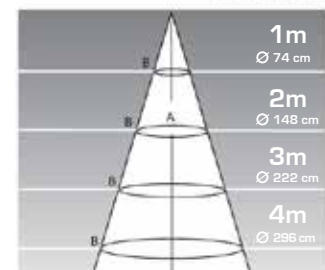
	A (lux)	B (lux)
1m	817	522
2m	204	131
3m	91	58
4m	51	33

Cold White



	A (lux)	B (lux)
1m	948	604
2m	237	151
3m	105	67
4m	59	38

A max value
B average value



NEW
GENERATION

LuciTube Integrated driver

11W - 600mm



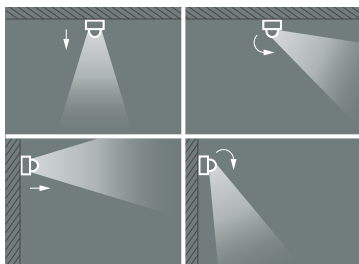
120°

IP40

IK02

CRI
80

LuciTube



- **A long-lasting investment**
 - > A return on investment in less than 2 years thanks to the 50% energy saving *
 - > A LED design offering more than 5 years without maintenance
 - > A working life of 50,000 h for 24 / 7 operation
 - > A protection fuse replaces the original starter
- **Easy replacement**
 - > 1 diffuser and 3 light colours to replicate the comfortable lighting of the fluorescent tube
 - > Embedded driver
 - > Revolving ends to direct the light in the zone to be illuminated
 - > Wiring possible for other types of ballasts

* compared to fluorescent tubes T8 18W



Product references

		KELVINS	LUMENS
LT8-11WW0600RI	3 760 179 406 184	WW: 3000 K	820 Lm
LT8-11NW0600RI	3 760 179 406 191	NW: 4000 K	880 Lm
LT8-11CW0600RI	3 760 179 406 207	CW: 6000 K	1050 Lm



Office
Bureau



Shop
Commerce



Hospitality
Café, Hôtel
& Restaurant



Education
Education



Healthcare
Santé



Industry
Industrie



Showroom
Espace
d'exposition



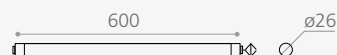
Outdoor
Lighting
Eclairage
extérieur

Characteristics

Type	Tube T8 LED
Number of LED	120
Socket	G13 - 90° revolving ends
CRI	80
Power factor	> 0.97
Lighting efficiency	85 Lm/W (in NW)

Measures

Dimensions : L.600 / ø26 mm



Weight



Operating Temperature

-20°C à 45°C

Consumption

10.4W

Power supply

230V

50 - 60Hz

Materials

Heat diffuser made of aluminium
Opal diffuser made of polycarbonate
Revolving ends made of white plastic

Certifications



EMC EN 61547 ; EN 61000-3-2
EN 61000-3-3 ; EN 55015
LVD EN 60698

RoHS

Environmental profile



Installation option

As replacement for fluorescent tube T8 mounted on a ferromagnetic ballast

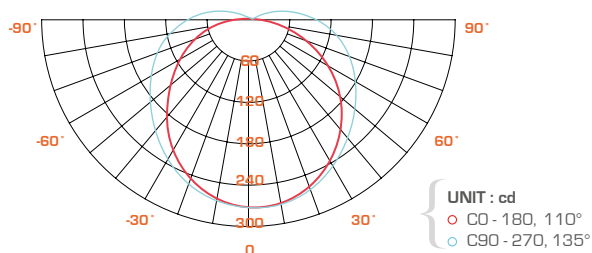
(for wiring diagram on an electronic ballast, consult us)

Accessory

Sold with a fuse to replace the starter
(same dimensions and connections as the original starter)

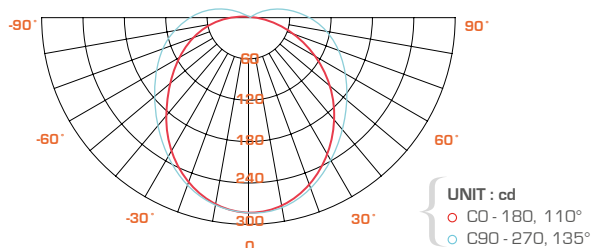
Luminous intensity distribution diagram & illuminance

Neutral White



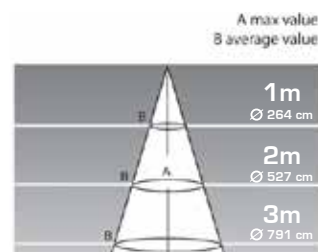
Medium angle (50% of the maximal intensity) : 122,5°

Cold White



Medium angle (50% of the maximal intensity) : 122,5°

	A (lux)	B (lux)
1m	275	55
2m	65	13
3m	30	8



	A (lux)	B (lux)
1m	285	65
2m	68	21
3m	32	9

NEW
GENERATION

LuciTube Integrated driver

25W - 1200mm



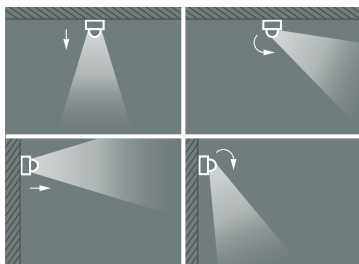
120°

IP40

IK02

CRI
80

LuciTube



- **A long-lasting investment**

- > A return on investment in less than 2 years thanks to the 50% energy saving *
- > A LED design offering more than 5 years without maintenance
- > A working life of 50,000 h for 24 / 7 operation
- > A protection fuse replaces the original starter

- **Easy replacement**

- > 1 diffuser and 3 light colours to replicate the comfortable lighting of the fluorescent tube
- > Embedded driver
- > Revolving ends to direct the light in the zone to be illuminated
- > Wiring possible for other types of ballasts

* compared to fluorescent tubes T8 36W



Product references

		KELVINS	LUMENS
LT8-25WW1200RI	3 760 179 406 214	WW: 3000 K	1930 Lm
LT8-25NW1200RI	3 760 179 406 221	NW: 4000 K	2100 Lm
LT8-25CW1200RI	3 760 179 406 382	CW: 6000 K	2350 Lm



Office
Bureau



Shop
Commerce



Hospitality
Café, Hôtel
& Restaurant



Education
Education



Healthcare
Santé



Industry
Industrie



Showroom
Espace
d'exposition



Outdoor
Lighting
Eclairage
extérieur

Characteristics

Type	Tube T8 LED
Number of LED	216
Socket	G13 - 90° revolving ends
CRI	80
Power factor	> 0.97
Lighting efficiency	84 Lm/W (in NW)

Measures

Dimensions : L.1200 / ø26 mm



Weight



Operating Temperature

-20°C à 45°C

Consumption

24.9W

Power supply

230V

50 - 60Hz

Materials

Heat diffuser made of aluminium
Opal diffuser made of polycarbonate
Revolving ends made of white plastic

Certifications



EMC EN 61547 ; EN 61000-3-2
EN 61000-3-3 ; EN 55015
LVD EN 60698

RoHS

Environmental profile



Installation option

As replacement for fluorescent tube T8 mounted on a ferromagnetic ballast

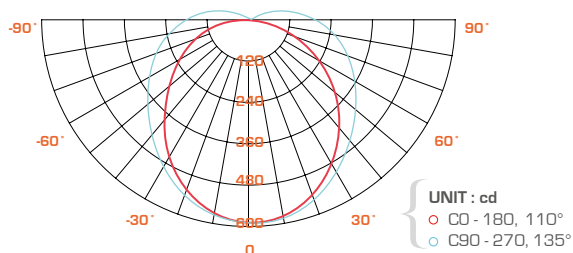
(for wiring diagram on an electronic ballast, consult us)

Accessory

Sold with a fuse to replace the starter
(same dimensions and connections as the original starter)

Luminous intensity distribution diagram & illuminance

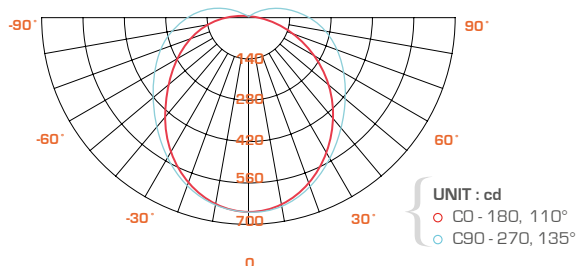
Neutral White



	A (lux)	B (lux)
1m	599	160
2m	173	51
3m	86	36

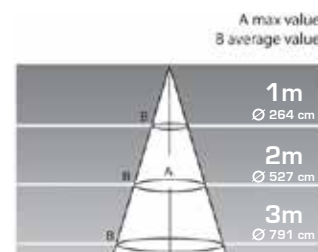
Medium angle (50% of the maximal intensity) : 122,5°

Cold White



	A (lux)	B (lux)
1m	659	176
2m	190	56
3m	94	40

Medium angle (50% of the maximal intensity) : 122,5°



NEW
GENERATION

LuciTube Integrated driver

30W - 1500mm



LuciTube

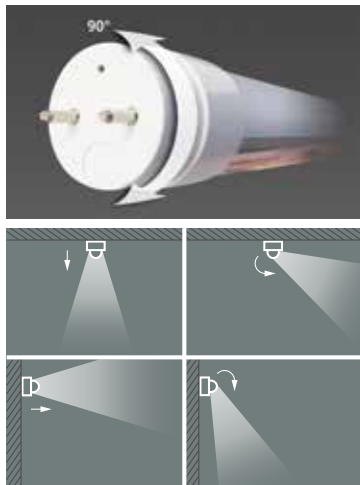


120°

IP40

IK02

CRI
80



- **A long-lasting investment**
 - > A return on investment in less than 2 years thanks to the 50% energy saving *
 - > A LED design offering more than 5 years without maintenance
 - > A working life of 50,000 h for 24 / 7 operation
 - > A protection fuse replaces the original starter
 - **Easy replacement**
 - > 1 diffuser and 3 light colours to replicate the comfortable lighting of the fluorescent tube
 - > Embedded driver
 - > Revolving ends to direct the light in the zone to be illuminated
 - > Wiring possible for other types of ballasts
- * compared to fluorescent tubes T8 56W



Product references

		KELVINS	LUMENS
LT8-30WW1500RI	3 760 179 406 399	WW: 3000 K	2300 Lm
LT8-30NW1500RI	3 760 179 406 405	NW: 4000 K	2450 Lm
LT8-30CW1500RI	3 760 179 406 412	CW: 6000 K	2700 Lm

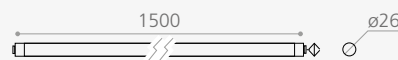


Characteristics

Type	Tube T8 LED
Number of LED	264
Socket	G13 - 90° revolving ends
CRI	80
Power factor	> 0.97
Lighting efficiency	84 Lm/W (in NW)

Measures

Dimensions : L. 1500 / ø26 mm



Weight



Operating Temperature

-20°C à 45°C

Consumption

29W

Power supply

230V

50 - 60Hz

Materials

Heat diffuser made of aluminium
Opal diffuser made of polycarbonate
Revolving ends made of white plastic

Certifications



EMC EN 61547 ; EN 61000-3-2
EN 61000-3-3 ; EN 55015
LVD EN 60698

RoHS

Environmental profile



Installation option

As replacement for fluorescent tube T8 mounted on a ferromagnetic ballast

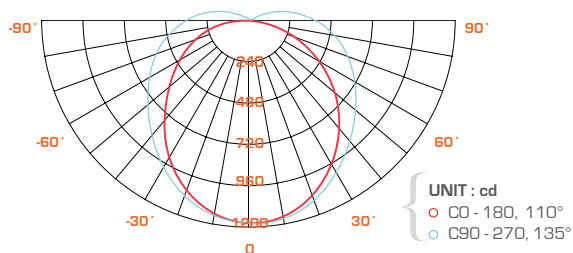
(for wiring diagram on an electronic ballast, consult us)

Accessory

Sold with a fuse to replace the starter
(same dimensions and connections as the original starter)

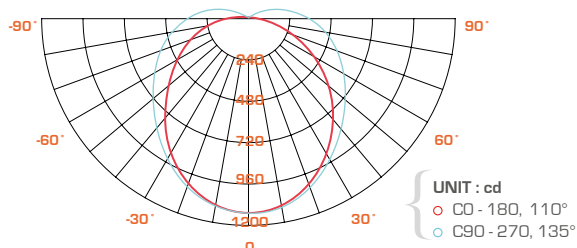
Luminous intensity distribution diagram & illuminance

Neutral White



Medium angle (50% of the maximal intensity) : 122,5°

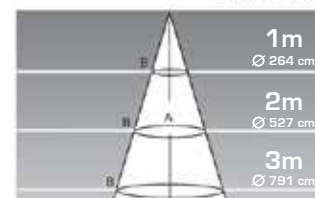
Cold White



Medium angle (50% of the maximal intensity) : 122,5°

	A [lux]	B [lux]
1m	1140	272
2m	352	75
3m	173	45

A max value
B average value



	A [lux]	B [lux]
1m	1180	325
2m	365	82
3m	177	51

LED GU5.3 Dimmable

6.5W 30°



LED GU5.3



- Ideal for accentuation lighting and Halogen light bulb replacement
- Compatible with most standard controllers and transformers available on the market (list on request)
- Lifespan : 30 000 hours
- Unlimited number of ignition / extinction cycles
- Instant start

Product References

		KELVINS	LUMENS	CANDELAS
LGU6.5WW5.330I	3 760 179 404 968	WW : 3000 K	340 Lm	900 cd
LGU6.5NW5.330I	3 760 179 405 415	NW : 4000 K	380 Lm	1000 cd

Office Bureau	Shop Commerce	Hospitality Café, Hôtel & Restaurant	Education Education
Healthcare Santé	Industry Industrie	Showroom Espace d'exposition	Outdoor Lighting Eclairage extérieur



Characteristics

Type	MR16
Number of LED	4 LED x 1,5 W
Base	GU5.3
CRI	> 80

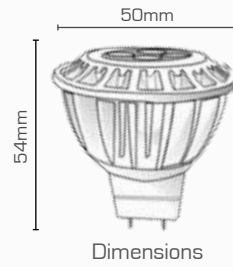
Power consumption

6.9W

Power supply

12V AC/DC

Measures



Weight

Environmental profile



Certifications



EMC EN 61547
EN 61000-3-2
EN 61000-3-3
EN 55015

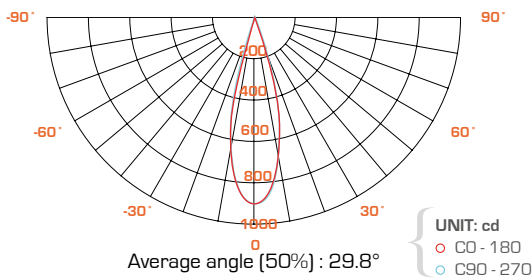
RoHS

Materials

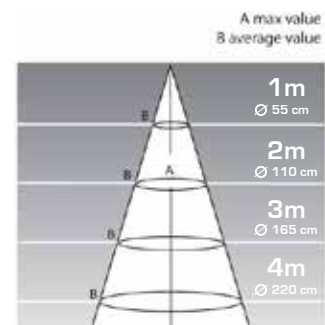
Aluminum heat sink
Polycarbonate lens
LED components : Cree

Illuminance

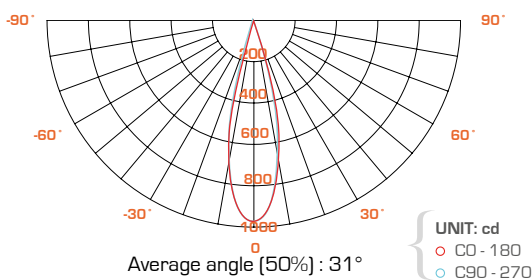
Warm White (3000K)



	A (lux)	B (lux)
1m	890	638
2m	223	160
3m	99	71
4m	56	40



Neutral White (4000K)



	A (lux)	B (lux)
1m	987	708
2m	247	177
3m	110	79
4m	62	49

LED GU10 Dimmable & Kit

6.5W 30°



- Ideal for accentuation lighting and 50W Halogen light bulb replacement
- Lifespan: 30 000 hours
- Unlimited number of ignition / extinction cycles
- Instant start



GU10 & KIT



- GU10 6.5W dimmable
- White swivel ring
- GU10 ceramic socket



Product References

		KELVINS	LUMENS	CANDELAS
GU10 6.5W Dimmable:				
LGU6.5WW10A30I	3 760 179 404 555	WW: 3000 K	380 Lm	1050 cd
LGU6.5NW10A30I	3 760 179 404 951	NW: 4000 K	410 Lm	1300 cd
KIT: GU10 6.5W Dimmable + ring + socket				
LKITGU10WW6.5	3 760 179 400 496	WW: 3000 K	380 Lm	1050 cd
LKITGU10NW6.5	3 760 179 400 502	NW: 4000 K	410 Lm	1300 cd



Office
Bureau



Shop
Commerce



Hospitality
Café, Hôtel
& Restaurant



Education
Education



Healthcare
Santé



Industry
Industrie



Showroom
Espace
d'exposition



Outdoor
Lighting
Eclairage
extérieur

Characteristics

Type	MR16
Number of LED	4 LED x 1,5 W
Base	GU10
CRI	> 80

Power consumption

6.6W

Power supply

230V

50 - 60Hz

Certifications



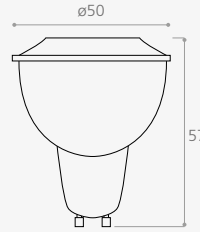
LVD EN 62 471
EN 62 560
EN 62 493

RoHS

EMC EN 61547
EN 61000-3-2
EN 61000-3-3
EN 55015

Measures

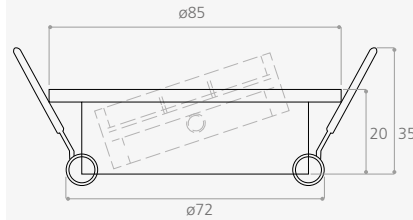
Dimensions of the source GU10



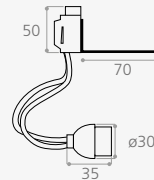
Weight of the source



Dimensions of the ring



Dimensions of the socket GU10



Weight of the kit



Materials

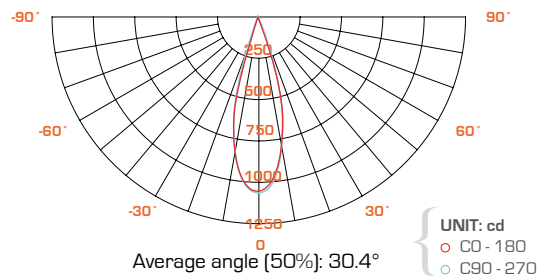
Aluminium heat diffuser
Polycarbonate lens
LED components: Cree
GU10 ceramic socket
Aluminium ring

Environmental profile



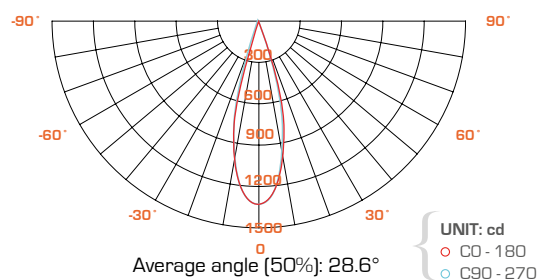
Illuminance

Warm White (3000K)

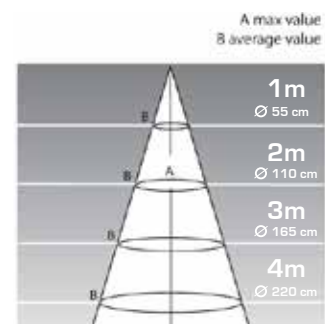


	A (lux)	B (lux)
1m	1044	744
2m	261	185
3m	116	83
4m	65	46

Neutral White (4000K)



	A (lux)	B (lux)
1m	1319	957
2m	330	239
3m	147	106
4m	82	60





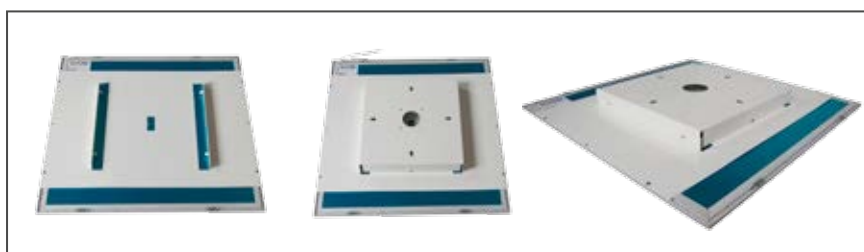
Accessories

Mounting frame

300x300mm, 1200x300mm and 600x600mm



Surface mounted



Mounting frame



Product References

CDL30X30	3 760 179 403 299
CDL60X60	3 760 179 403 305

Compatibility

Lucipanel 300x300mm
 Lucipanel 1200x300mm
 Lucipanel 600x600mm

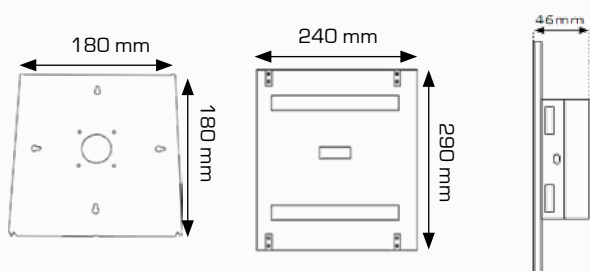
Characteristics CDL30x30

Type	Mounting frame
Base	<ul style="list-style-type: none"> - Fixings with 4 M3 screws and square flat washer - Fixings with 2 M4 screws and plate washer - RAL9010 Lacquered paint

Characteristics CDL60x60

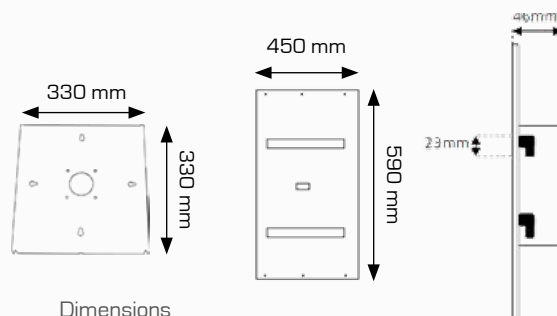
Type	Mounting frame
Base	<ul style="list-style-type: none"> - Fixings with 4 M3 screws and square flat washer - Fixings with 4 M6 screws and plate washer - RAL9010 Lacquered paint

Measures CDL30x30



Dimensions

Measures CDL60x60



Dimensions

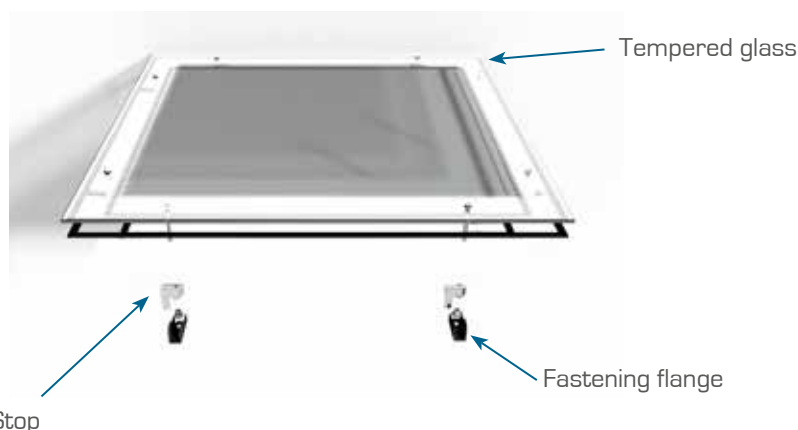
Simple IP65 frame

600x600mm

IP65 frame

IP65

IK07



- **Resistance to aggressive environment**
 - * Equivalent IP65, i.e. water spray at 0.3 bars
 - * Anti-condensation seal
- **Easy to use**
 - * Compression seal for installation without silicon
 - * Adaptable steel flange
 - * Shock resistance: IK07 (2 joules)

Product Reference

CIP65SF6060

3 760 179 406 146

Compatibility

LuciPanel 600x600mm (20W, 30W and 40W)

Applications

- Kitchen
- Shower room
- Cellar
- Swimming pool room
- Laboratory
- Clean room

Characteristics

Type Frame IP65

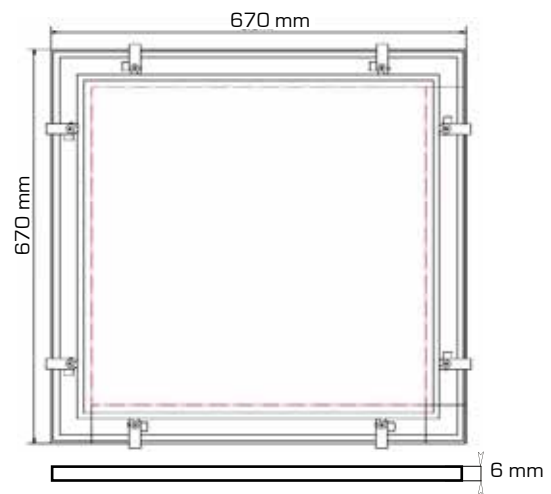
Set of 3 elements :

- Screen printed tempered glass frame
- Bottom stop
- Fastening flange

The glass frame is fastened to the ceiling with the 8 systems (top/bottom assembly). These fastening systems clamp the ceiling using M6 screws.

- **Glass frame:**
6mm thick tempered glass – screen printed white
- **Water tightness:**
With seal on the interior section of the glass frame
- **Power supply:**
To be installed inside the ceiling
- **Thickness of pressure element:** 5mm to 20mm
- **Recessed fitting:** 635mm x 635mm

Dimensions



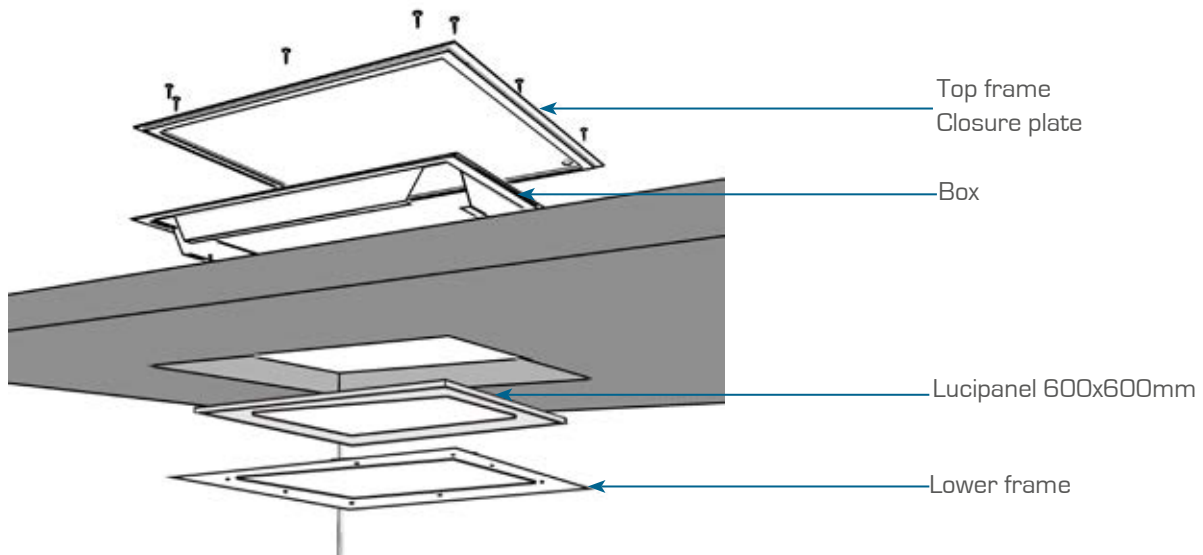
Weight

Frame IP65

600x600mm



Frame IP65



Product References

CIP656060 3 760 179 405 613

Compatibility

Lucipanel 600x600mm
Model : 20W, 30W et 40W

Characteristics

Type Frame IP65

Set of 3 elements :

- Lower frame
- Box
- Top frame / Closure plate

The top frame is screwed to the box by means of 12 stainless screws.

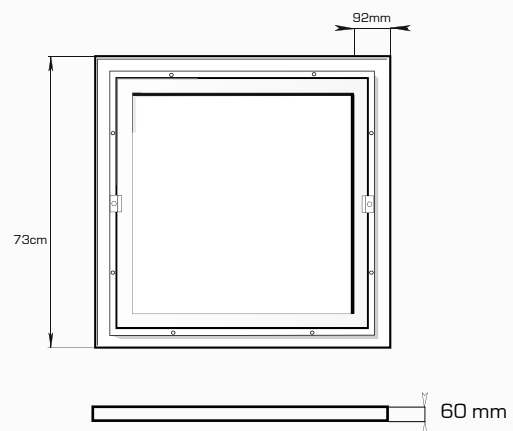
The lower frame is screwed to the box by means of 8 stainless M5 screws

- **Lower frame:**
3mm safety glass
- **Water tightness:**
seal on the top, lower parts and box ;
Silicon between safety glass and lower frame.
- **Power supply:**
Install in inner frame
PG13.5 gland seal
- **Position:**
Lucipanel is centered inside lower frame by means of 4 mounting angles
- Thickness of pressure element: 55mm to 65mm
- Recessed fitting: 660mm x 660mm
- RAL 9010

Applications

- Clean rooms
- Operating rooms
- Laboratories...

Measures



Weight

Staff fitting frame

300x300mm, 600x600mm,
1200x200mm and 1200x300mm



Staff fitting frame

Product References

CBAL30X30	3 760 179 400 168
CBAL60X60	3 760 179 400 151
CBAL120X20	3 760 179 400 144
CBAL120X30	3 760 179 400 137

Compatibility

Lucipanel 300x300mm
Lucipanel 600x600mm
Lucipanel 1200x200mm
Lucipanel 1200x300mm

Characteristics

- Type : Staff fitting frame
- Base : - Fastening through 4 to 6 angle brackets, supplied with screw set
 - RAL9010 lacquered paint
 - For ceilings between 5mm and 20mm thick



Measures (mm)

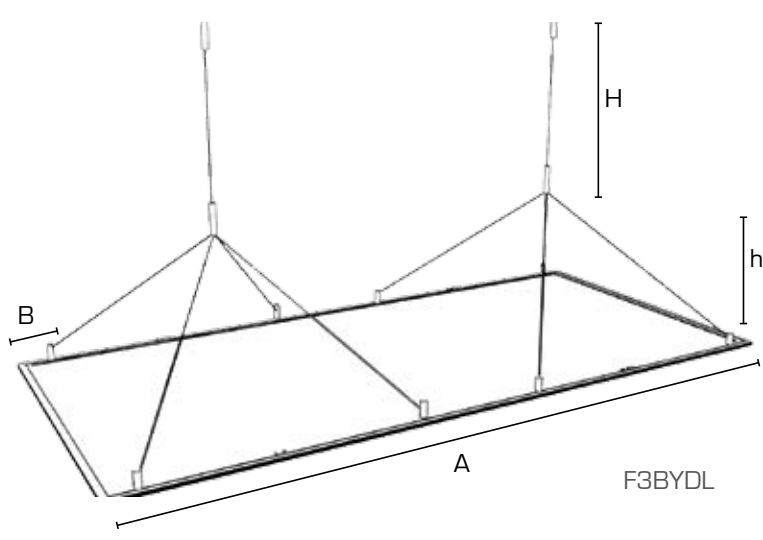
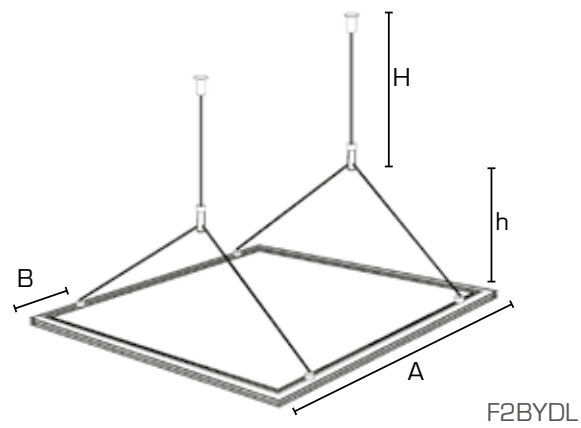


Fitting dimensions :

	CBAL30X30	CBAL60X60	CBAL120X20	CBAL120X30
Minimum :	302x308	602x608	1202x208	1202x308
Maximum :	308x314	608x614	1208x214	1208x314



Suspension cables



Product References & Characteristics

Suspension cables references		Fixation LuciPanel	Height h(mm)	Height H(mm)
F2BYDL	3 760 179 403 322	2 screw M3x3.8mm	345-450	1500
F3BYDL	3 760 179 405 927	4 screw M3x3.8mm	500	1500

Dimensions LuciPanel (mm)	A(mm)	B(mm)	Suspension cables references
300X300	300	50	F2BYDL
600X600	600	100	F2BYDL
675X675	675	114	F2BYDL
1200X200	1200	200	F2BYDL
1200X300	1200	200	F2BYDL
1200X600	1200	200	F3BYDL

Aluminium profile

7mm - for IP20 LED Strip



Aluminium profile



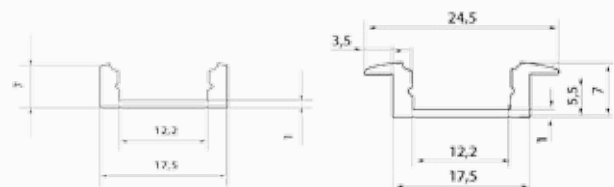
Product References

PS7DC1M	3 760 179 404 265	Mounted profile + clear diffuser
PS7DO1M	3 760 179 404 272	Mounted profile + opaque diffuser
EPS7PF	3 760 179 404 289	Tip with gommet
EPS7	3 760 179 404 302	Tip
SFPS7	3 760 179 404 296	Fixing stand

Characteristics

Type	Aluminium profile
Diffuser	Polycarbonat
length	1 metre

Measures



Mounted profile

Recessed profile



Product References

PE7DC1M	3 760 179 404 456	Recessed profile + clear diffuser
PE7DO1M	3 760 179 404 463	Recessed profile + opaque diffuser
EPE7PF	3 760 179 404 487	Tip with gommet
EPE7	3 760 179 404 470	Tip
SFPS7	3 760 179 404 296	Fixing stand



PE7DC1M
PE7DO1M

EPE7PF



Aluminium profile

15mm - for IP20 & IP67 LED Strip



Aluminium profile



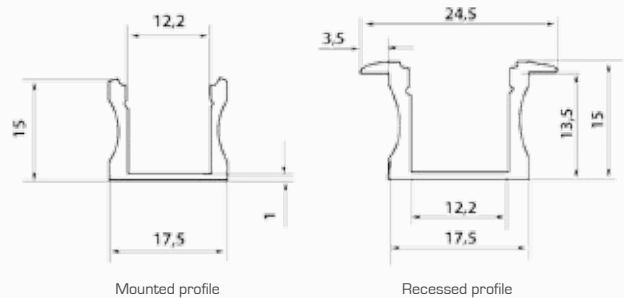
Product References

PS15DC1M	3 760 179 404 319	Mounted profile + clear diffuser
PS15DO1M	3 760 179 404 326	Mounted profile + opaque diffuser
EPS15PF	3 760 179 404 333	Tip with gommet
EPS15	3 760 179 404 357	Tip
SFPS15	3 760 179 404 340	Fixing stand

Characteristics

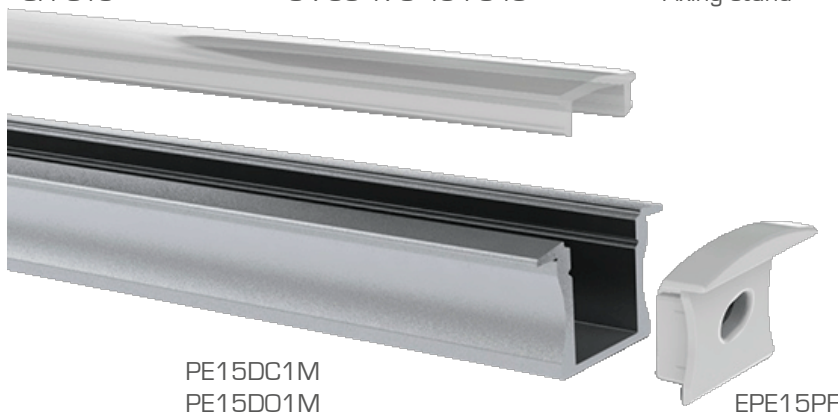
Type	Aluminium profile
Diffuser	Polycarbonat
length	1 metre

Measures



Product References

PE15DC1M	3 760 179 404 494	Recessed profile + clear diffuser
PE15DO1M	3 760 179 404 500	Recessed profile + opaque diffuser
EPE15	3 760 179 404 524	Tip with gommet
EPE15PF	3 760 179 404 517	Tip
SFPS15	3 760 179 404 340	Fixing stand



Fixed ring

White / Brushed Steel



Ring



IP20

Product References

CARF055
CBRF055

3 760 179 401 622
3 760 179 401 639

Brushed Steel
White



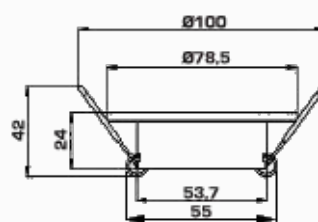
Characteristics

Type	Ring
Colour	Brushed steel - White
Adjustable	No

Compatibility

- MR16

Measures



Dimensions



55g

Weight

Materials

Aluminium

Adjustable ring

White / Brushed Steel



Ring



IP20

Product References

CAR0071 3 760 179 401 608
CBR0071 3 760 179 401 615

Brushed Steel
White



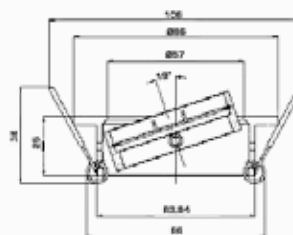
Characteristics

Type	Ring
Colour	Brushed steel - White
Adjustable	Yes

Compatibility

- MR16

Measures



Dimensions



Weight

Materials

Aluminium



Ring

Eco adjustable ring

White



IP20



Product Reference

CBR075ECO 3 760 179 405 439 White

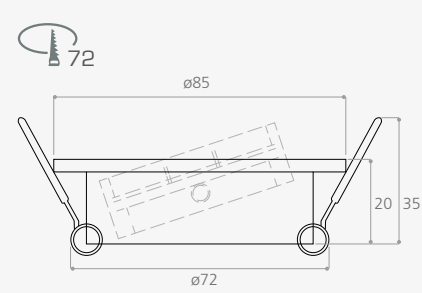
Characteristics

Type	Ring
Colour	White
Adjustable	2* 45°

Compatibility

- MR16 diameter source

Measures



Dimensions

Weight

Materials

Aluminium



Fixed ring

White - IP65



Ring



IP65

Product References

CBRF055IP65

3 760 179 403 343

White



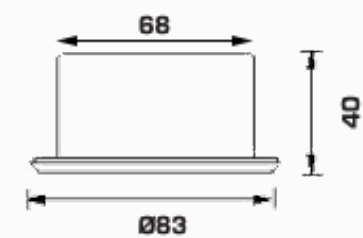
Characteristics

Type	Ring
Colour	White
Adjustable	No

Compatibility

- MR16

Measures



Dimensions



Weight

Materials

Aluminium
Glass



Drivers

Standard driver

18W 700mA Pre-wired



Driver



IP20



Product References

STD002

3 760 179 404 371

Compatibility

Downlight 11W / Downlight 14W
AR111 11W / AR111 15W
Lucispot

Characteristics

Type	Driver
Primary	220..240Vac 0.2A 50/60Hz
Secondary	3..34Vdc 700mA
Output power	3..18W

Measures



Weight

Length : 140mm
Width : 45mm
Height : 23mm

Standard driver

24W 700mA Pre-wired



Driver



IP20



Product References

STD003

3 760 179 404 388

Compatibility

Downlight 11W / 14W / 19W
Spot LED 19W

Characteristics

Type	Driver
Primary	220..240Vac 0.15A 50/60Hz $\Lambda = 0.8$
Secondary	15..36Vdc 700mA
Output power	15..24W

Measures



115g

Weight

Length : 140mm
Width : 45mm
Height : 23mm

Standard driver

30W 700mA Pre-wired
LuciPanel connection



Driver



IP20



Product References

Pre-wired

STD004 3 760 179 404 395

Compatibility

Downlight 19W / 27W

LuciPanel connection

STD010 3 760 179 404 746

Lucipanel 20W 600x600mm

Characteristics

Type	Driver
Primary	220..240Vac 0.2A 50/60Hz λ = 0.95
Secondary	21..35Vdc 700mA
Output power	18..30W

Measures



Weight

Length : 140mm
Width : 45mm
Height : 23mm

Standard driver

48W 700mA Pre-wired
LuciPanel connection



Driver



IP65



Product References

Pre-wired

STD005 3 760 179 404 883

LuciPanel connection

STD008 3 760 179 404 425

Compatibility

Downlight 36W

Lucipanel 600x600mm / 1200x300mm
(Specific cable)

Characteristics

Type	Driver
Primary	220..240Vac 0,6..0,3A 50/60Hz $\Lambda > 0,9$
Secondary	40..66Vdc 700mA
Output power	48W max

Measures



245g

Weight

Length : 170mm
Width : 44mm
Height : 34mm

Standard driver

18W 350mA Pre-wired
LuciPanel connection



Driver



IP20



Product References

STD009

3 760 179 404 432

Compatibility

Lucipanel 300x300mm

Characteristics

Type	Driver
Primary	220..240Vac 0,2A 50/60Hz
Secondary	10..60Vdc 350mA
Output power	3..18W

Measures



160g

Weight

Length : 140mm
Width : 49mm
Height : 25mm

Standard Driver

10W 700mA Pre-wired



Driver



IP20



Product References

STD012

3 760 175 406 238

Compatibility

Powerlight Eye Protection 6W
Powerlight Eye Protection 8W

Characteristics

Type	Driver
Primary	220..240Vac 0,22A 50/60Hz
Secondary	3 - 21Vdc 700mA
Output power	3 - 10W

Measures



55g

Weight

Length : 66 mm
Width : 37 mm
Height : 23mm

Standard Driver

57W 1500mA Pre-wired
LuciPanel connection



Driver



IP67



Product References

LSTD57CC1.5A

3 760 179 405 910

Compatibility

Lucipanel 1200X600 55W

Characteristics

Type	Driver
Primary	220..240Vac 0.30A 50/60Hz $\lambda = 0.95$
Secondary	12..38Vdc 1500mA
Output power	18..57W

Measures



Weight

Length : 150mm
Width : 47mm
Height : 33mm

Dimmable driver

TRIAC (Depending on country)



Driver



Schéma de câblage TRIAC



References Product

DIM001

3 760 179 406 511

Compatibility

Powerlight Spot 6W
Powerlight Spot 8W

Characteristics

Type	Driver
Primary	200..240Vac 50/60Hz
Secondary	9-14 Vdc 620mA
Output power	6.8W
Variation	10%-100% power for Triac phase control dimmer

Measures



Weight

Length : 89mm
Width : 39mm
Height : 23mm

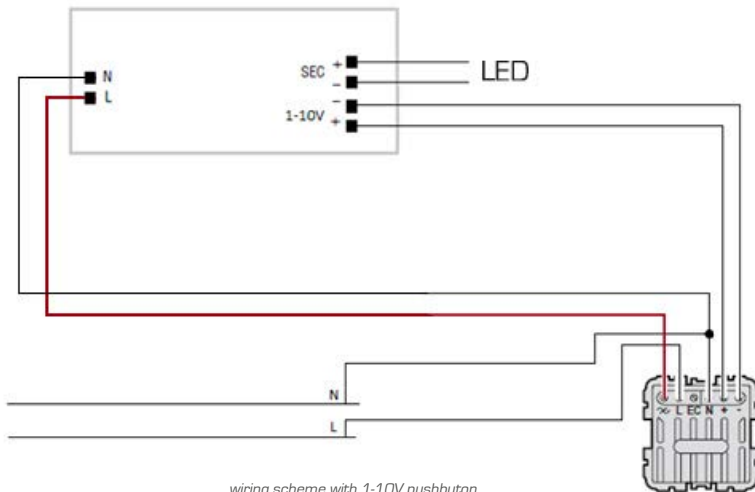
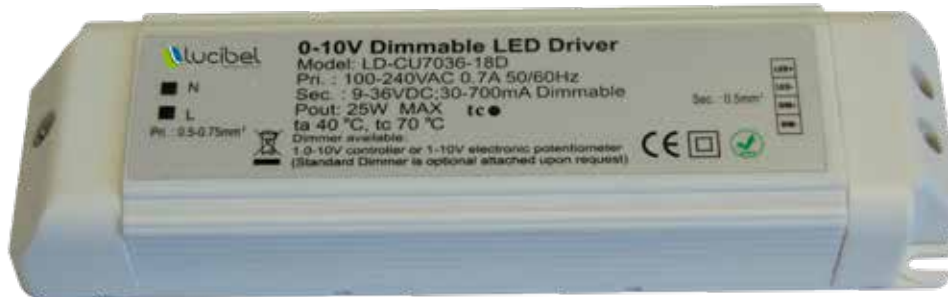


Dimmable driver

1-10V variation exclusively - Pre-wired



Driver



wiring scheme with 1-10V pushbuton



Product References

DIM002

3 760 179 404 753

Compatibility

AR111 / Powerlight / Lucipanel 10W / Spot LED 19W
Downlight 11W / 14W / 19W
Lucispot / Powerlight Eye Protection

Characteristics

Type	Driver
Primary	100..240Vac 50/60Hz
Secondary	700 mA
Variation	1-10V
Output power	25W max

Measures

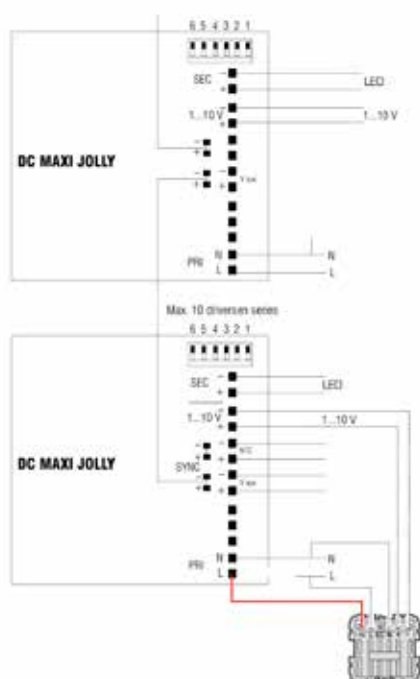


Weight

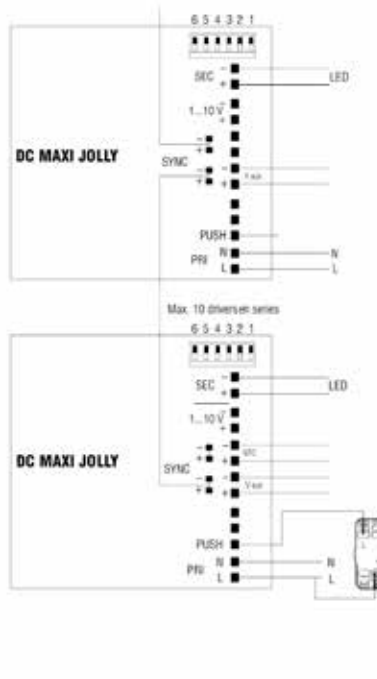
Length : 171mm
Width : 47,5mm
Height : 28,5mm

Dimmable driver

1-10V, Pushbutton or Potentiometer



wiring scheme with 1-10V pushbutton



wiring scheme with pushbutton



Driver



IP20



Product References

DIM003

3 760 179 404 449

Compatibility

Lucipanel 600x600mm / 1200x300mm
Downlight 27W / 36W

Characteristics

Type	Driver
Primary	110..240Vac 0,55A 50/60Hz $\Lambda = 0.95$
Secondary	350/500/700/900 1050/1400mA
Output power	50W max
Variation	1-10V or pushbutton or potentiometer

Measures



Weight

Length : 124mm
Width : 79mm
Height : 23mm

Accessories

synchronization of multiple dimmable (max 10) drivers with only one command button (1 master unit and 9 slaves units):
Sync cable : CSDIM003



Direct current dimmable electronic ballast for high power LED and LED modules.

DC MAXI JOLLY is a ballast for LEDs which can power both voltage LED strips (48 V) and power current powered LEDs (350 mA, 500 mA, 700 mA, 900 mA, 1050 mA, 1400 mA). The function mode is selected by means of the DIP switch, which is below the terminal cover, according to the following table :

Moreover, DC MAXI Jolly is a dimmer ballast which can vary the light intensity of the connected LEDs by means of a type 1...10V control signal, potentiometer, normally open push button or external NTC. The connections must be carried out as shown in the diagrams

DIP SWITCH position	1	2	3	4	5	6
25W 350mA						
35W 500mA						ON
50W 700mA					ON	ON
50W 900mA				ON	ON	ON
50W 1050mA			ON	ON	ON	ON
50W 1400mA*		ON	ON	ON	ON	ON
50W 48V	ON		ON	ON	ON	ON

* not for continuous working

1...10 V function

The light intensity of the LEDs vary proportionally to the signal sent to the terminal. Intensity is null with a signal less than 1 V.

Potentiometer function

By rotating the potentiometer there is variation of the LED light intensity in a proportionate or logarithmic way depending on the model of potentiometer used. The use of a logarithmic potentiometer is recommended.

Push button function

By pressing the push button for less than one second the LEDs turn on or off.

By pressing the push button for more than one second the light intensity of the LEDs is dimmed according to the following modalities:

If the light intensity is not at maximum, by pressing the key there will be an increase of this to maximum or to the corresponding level at the moment the key is released;

A further pressure on the key inverts the dimming direction to the minimum value or to the corresponding level at the moment the key is released;

If light intensity is at maximum by pressing the key there will be a decrease to the minimum value or to the corresponding level at the moment the key is released.

If more than one device is operated with a single key during PUSH operation without synchronisation cable, asynchronous behaviour might occur, which will require manual resynchronisation using the method described. It is recommended not to control more than 4/5 devices using a single key. Should this be unacceptable, a synchronisation cable will have to be used instead. Any control system dimmer that does not feature a central control module (as each driver will have its own controls) can develop asynchronous behaviour (e.g. children might play with the key). The system will then be out of sync, i.e. some lamps will be on, others off or the dimming direction will differ from lamp to lamp. Method of resynchronisation: when the drivers are switched on, press the PUSH key for more than one second (long PUSH) followed with a short push (<1s). Now the devices are switched off, do a long PUSH, the system will now be resynchronised. Total length of PUSH cables: 15m.

NB : The use of the push button inhibits the use of the 1...10 V signal. To return to use of the 1...10 V signal keep the signal less than 0,5 V for at least 2 seconds.

Warning: Use simple pushbuttons only. Do not use pushbuttons featuring integrated indicator lights.

Safety

Hi-pot test 3,75kV, 100% for 2 seconds

Normes EN50172 (VDE 0108), EN55015, EN60598-2-22, EN61000-3-2, EN47-1, EN61347-2-13, EN62384, VDE 0710-T14

DIN VDE 0710 ENEC 05, KEMA KEUR

EMI

According to EN 55015.

Ambient

ta = -25...50°C

tc = 80°C

ta = -25...45°C for 900mA, 1050mA

tc life 50 000 h : 75°C

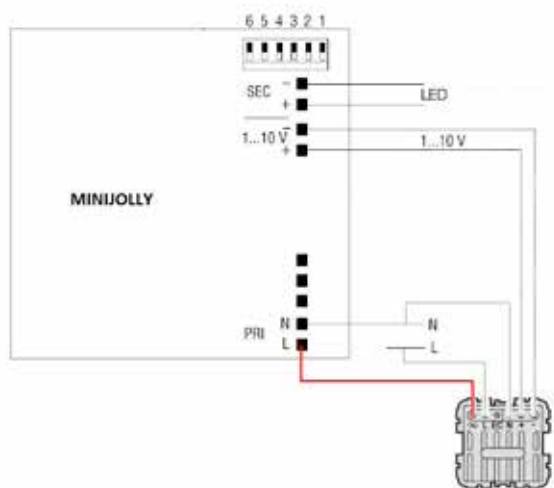
Product	Nominal intensity	Dipswitch configuration (ON)	Maximum serial
AR111 11W	700 mA	5 & 6	4
AR111 15W	700 mA	5 & 6	3
Powerlight 6W Eye Protection	700 mA	5 & 6	6
Powerlight 8W Eye Protection	700 mA	5 & 6	4
Spot LED 19W	700 mA	5 & 6	2
Downlight 11W	700 mA	5 & 6	3
Downlight 14W	700 mA	5 & 6	3
Downlight 19W	700 mA	5 & 6	2
Downlight 27W	700 mA	5 & 6	1
Downlight 36W	700 mA	5 & 6	1
Lucipanel 10W 300x300mm	350 mA	All Off	2
Lucipanel 20W 600x600mm	700 mA	5 & 6	2
Lucipanel 30W 600x600mm	700 mA	5 & 6	1
Lucipanel 40W 600x600mm	700 mA	5 & 6	1
Lucipanel 40W 675x675mm	700 mA	5 & 6	1
Lucipanel 40W 1200x300mm	700 mA	5 & 6	1
Lucipanel 40W 1200x200mm	700 mA	5 & 6	1
Lucipanel 40W 1200x200mm, double sided	700 mA	5 & 6	1

Dimmable driver

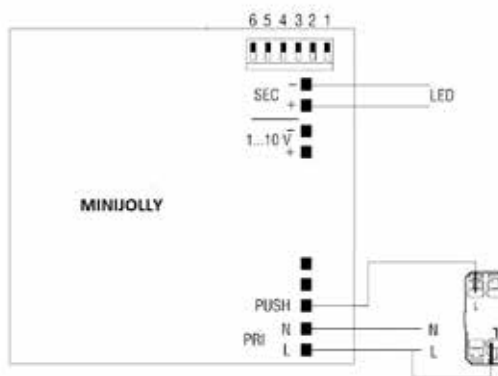
1-10V or Pushbutton



Driver



wiring scheme with 1-10V pushbutton



wiring scheme with pushbutton



Product References

DIM004

3 760 179 406 115

Compatibility

AR111 / Powerlight / LuciPanel 10W / Spot LED 19W
Downlight 11W / 14W
LuciSpot / Powerlight Eye Protection

Characteristics

Type	Driver
Primary	110..240Vac 0,16A 50/60Hz $\Lambda = 0.95$
Secondary	350/500/550/700 850/900mA
Output power	20W max
Variation	1-10V or pushbutton

Measures



80g

Weight

Length : 110mm
Width : 52mm
Height: 22mm

Direct current dimmable electronic ballast for high power LED and LED modules.

MINIJOLLY is a ballast for LEDs which can power both voltage LED strips (24 V) and power current powered LEDs (350 mA, 500 mA, 550 mA, 700 mA, 850mA, 900 mA). The function mode is selected by means of the DIP switch, which is below the terminal cover, according to the following table :

Moreover, MINIJOLLY is a dimmer ballast which can vary the light intensity of the connected LEDs by means of a type 1...10V control signal, potentiometer, normally open push button or external NTC. The connections must be carried out as shown in the diagrams

DIP SWITCH position	1	2	3	4	5	6
15W 350mA						
20W 500mA						ON
20W 550mA					ON	
20W 700mA					ON	ON
20W 850mA				ON		ON
20W 900mA				ON	ON	
9W 10V			ON	ON	ON	ON
10W 12V		ON		ON	ON	ON
20W 24V	ON			ON	ON	ON

1...10 V function

The light intensity of the LEDs vary proportionally to the signal sent to the terminal. Intensity is null with a signal less than 1 V.

Push button function

By pressing the push button for less than one second the LEDs turn on or off.

By pressing the push button for more than one second the light intensity of the LEDs is dimmed according to the following modalities:

If the light intensity is not at maximum, by pressing the key there will be an increase of this to maximum or to the corresponding level at the moment the key is released;

A further pressure on the key inverts the dimming direction to the minimum value or to the corresponding level at the moment the key is released;

If light intensity is at maximum by pressing the key there will be a decrease to the minimum value or to the corresponding level at the moment the key is released.

If more than one device is operated with a single key during PUSH operation without synchronisation cable, asynchronous behaviour might occur, which will require manual resynchronisation using the method described. It is recommended not to control more than 4/5 devices using a single key. Should this be unacceptable, a synchronisation cable will have to be used instead. Any control system dimmer that does not feature a central control module (as each driver will have its own controls) can develop asynchronous behaviour (e.g. children might play with the key). The system will then be out of sync, i.e. some lamps will be on, others off or the dimming direction will differ from lamp to lamp. Method of resynchronisation: when the drivers are switched on, press the PUSH key for more than one second (long PUSH) followed with a short push (<1s). Now the devices are switched off, do a long PUSH, the system will now be resynchronised. Total length of PUSH cables: 15m.

NB : The use of the push button inhibits the use of the 1...10 V signal. To return to use of the 1...10 V signal keep the signal less than 0,5 V for at least 2 seconds.

Warning: Use simple pushbuttons only. Do not use pushbuttons featuring integrated indicator lights.

Safety

Normes

EN50172 (VDE 0108), EN55015, EN60598-2-22, EN61000-3-2, EN61347-1, EN61347-2-13, EN62384, VDE 0710-T14

Ambient

ta = -25...50°C

tc = 80°C

ta = -25...45°C pour 900mA

tc life 50 000 h : 75°C

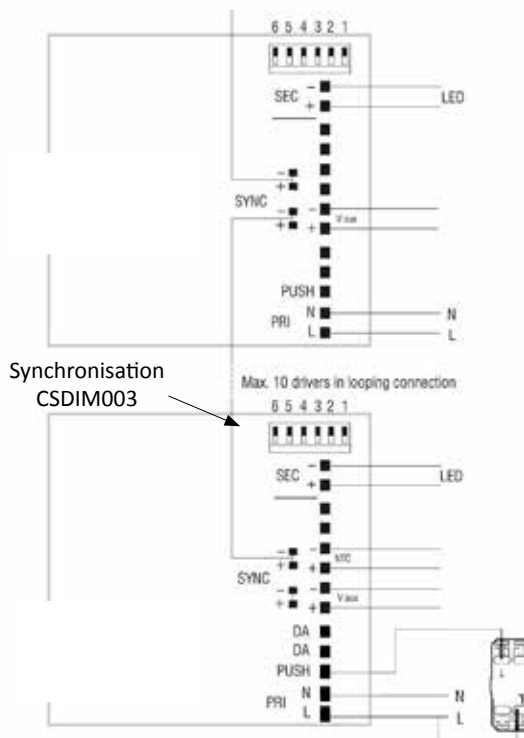
Product	Nominal intensity	Dipswitch configuration (ON)	Maximum serial
AR111 11W	700 mA	5 & 6	1
AR111 15W	700 mA	5 & 6	1
Powerlight 6W Eye Protection	700 mA	5 & 6	2
Powerlight 8W Eye Protection	700 mA	5 & 6	2
Spot LED 19W	700 mA	5 & 6	1
Downlight 11W	700 mA	5 & 6	1
Downlight 14W	700 mA	5 & 6	1
LuciPanel 10W 300x300mm	350 mA	All Off	1
LuciPanel 20W 300x300mm	700 mA	5 & 6	1

DALI driver

DALI, 1-10V, Pushbutton or Potentiometer



Driver



Product References

DAL003

3 760 179 404 760

Compatibility

LuciPanel / Downlight
Spot LED 19W / AR111
Lucispot

Characteristics

Type	Driver
Primary	110..240Vac 0,55A 50/60Hz $\Lambda = 0.95$
Secondary	350/500/700/900 1050 / 1400mA
Output power	50W

Measures



Weight

Length : 124,5mm
Width : 79mm
Height : 22mm

Accessories

synchronization of multiple DALI drivers with only one command button: Sync cable: CSDIM003



Direct current dimmable electronic drivers multivoltage-multicurrent for power LED and LED modules.

DC MAXI JOLLY DALI is a ballast for LEDs which can power both voltage LED strips (48 V) and power current powered LEDs (350 mA, 500 mA, 700 mA, 900 mA, 1050 mA).

The function mode is selected by means of the DIP SWITCH, which is below the terminal cover, according to the following table.

DIP SWITCH position	1	2	3	4	5	6
25W 350mA						
35W 500mA						ON
50W 700mA					ON	ON
50W 900mA				ON	ON	ON
50W 1050mA			ON	ON	ON	ON
50W 48V	ON		ON	ON	ON	ON

PUSH Synchronisation

If more than one device is operated with a single key during PUSH operation, asynchronous behaviour can occur, which will require manual resynchronisation using the method described. It is recommended not to control more than four devices using a single key. Should this be unacceptable, a synchronisation cable will have to be used instead. Any 1-key dimmer that does not feature a central control module (as each driver will have its own controls) can develop asynchronous behaviour (e.g. children might play with the key). The system will then be out of sync, i.e. some lamps will be on, others off or the dimming direction will differ from lamp to lamp.

Method of resynchronisation: when the drivers are switched on, press the PUSH key for more than one second (long PUSH) followed with a short push (<1s). Now the devices are switched off, do a long PUSH, the system will now be resynchronised. Total length of PUSH cables: 15 m

Warning: Use simple pushbuttons only. Do not use pushbuttons featuring integrated indicator lights..

Sécurité

Hi-pot test	3,75kV, 100% for 2 seconds
Standards	EN61347-1, EN61347-2-13, EN61547, EN55015, EN61000-3-2, EN62384
DIN VDE 0710	teil 14
IEC 62386-101	IEC 62386-102
ENEC 05	KEMA KEUR

EMI

According to EN 55015.

Ambiance

ta = -25...50°C	tc = 80°C
ta = -25...45°C for 900mA, 1050mA	tc life 50 000 h : 75°C

Product	Nominal intensity	Dipswitch configuration (ON)	Maximum serial
AR111 11W	700 mA	5 & 6	4
AR111 15W	700 mA	5 & 6	3
Powerlight 6W Eye Protection	700 mA	5 & 6	6
Powerlight 8W Eye Protection	700 mA	5 & 6	4
Spot LED 19W	700 mA	5 & 6	2
Downlight 11W	700 mA	5 & 6	3
Downlight 14W	700 mA	5 & 6	3
Downlight 19W	700 mA	5 & 6	2
Downlight 27W	700 mA	5 & 6	1
Downlight 36W	700 mA	5 & 6	1
LuciPanel 10W 300x300mm	350 mA	All Off	2
LuciPanel 20W 600x600mm	700 mA	5 & 6	2
LuciPanel 30W 600x600mm	700 mA	5 & 6	1
LuciPanel 40W 600x600mm	700 mA	5 & 6	1
LuciPanel 40W 675x675mm	700 mA	5 & 6	1
LuciPanel 40W 1200x300mm	700 mA	5 & 6	1
LuciPanel 40W 1200x200mm	700 mA	5 & 6	1
LuciPanel 40W 1200x200mm, double sided	700 mA	5 & 6	1

Transformer 12V

100W



Transformer



IP20



Product References

STD006

3 760 179 404 401

Compatibility

Strip 5W / 15W / RGB

Characteristics

Type	Transformer
Primary	115..230Vac 2,4..1,2A 50/60Hz
Secondary	12Vdc 8,5A
Output power	100W

Measures



535g

Weight

Length : 200mm
Width : 97mm
Height : 37mm

Transformer 12V

200W



Transformer



Product References

STD007

3 760 179 404 418

Compatibility

Strip 5W / 15W / RGB

Characteristics

Type	Transformer
Primary	115..230Vac 4,5..2,5A 50/60Hz
Secondary	12Vdc 16,5A
Output power	200W

Measures



550g

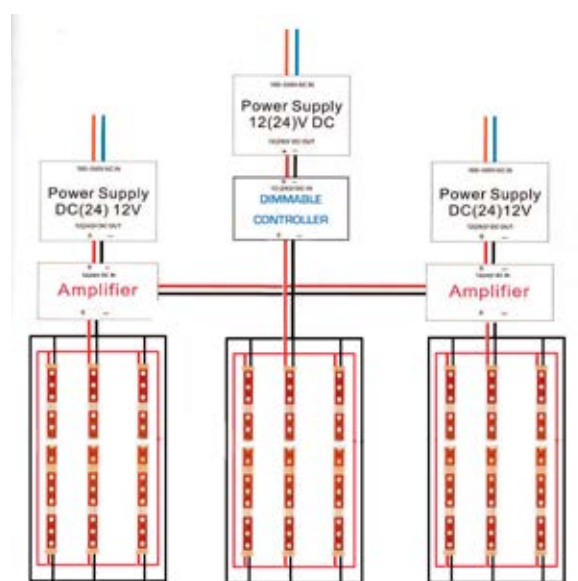
Weight

Length : 214mm
Width : 113mm
Height : 49mm

Dimmable controller 12V



Controller



IP20



Product References

CDIMMABLE

3 760 179 401 363

Compatibility

Strip 5W / 15W

Characteristics

Type	Dimmable controller
Voltage	DC12V
Operating Temperature	-20 - 40°C

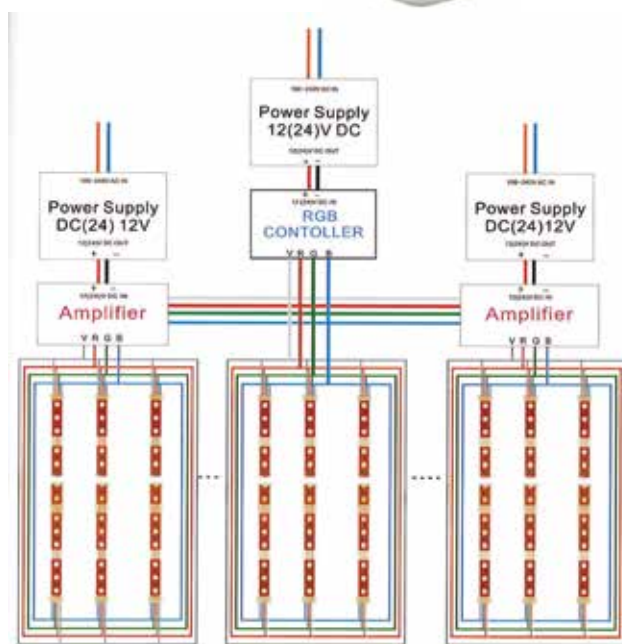
Measures

Length :	107mm
Width :	64,5mm
Height :	24mm

RGB Controller 12V



Controller



Product References

CRGB12V

3 760 179 401 349

Compatibility

Strip RGB

Characteristics

Type	RGB Controller
Voltage	DC12V
Operating Temperature	-20 - 40°C

Measures

Length :	107mm
Width :	65mm
Height :	24mm



LEDLEDLED

«Lucibel's LucEco» range of lighting products comprises a limited selection of performance sources and light fixtures that respond to specific market needs..

«LucEco by Lucibel» : Reliable quality products offering a highly attractive "performance-price" ratio with a lifetime that adapts to market expectations and performance that exceeds traditional light bulbs.

Performing, safe and affordable products!

SUMMARY

Sources



Candle



Mini-Globe



Globe



GU5.3



GU10



Kit GU10

Light fixtures



TrackLED


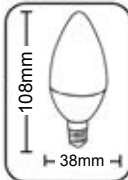

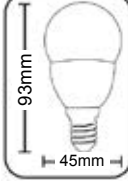

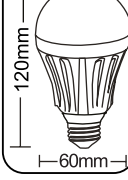

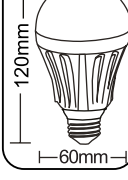

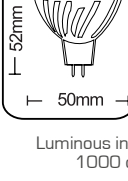


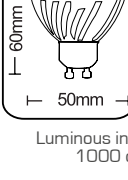



MoonLED

LEDLEDLED

LED LED LED

Robust, economical and environmentally friendly.

	Colour	Flux	Dimensions Base	Lifetime	Power Supply	Reference EAN Code
Candle 4,5W  4,5W = 25W LED > 80% energy savings	3000 K	250 Lm	 E14	15 YEARS* 15 000 h	220V 50-60 Hz	LPE14C4.5WW 3 760 179 404 937
Mini-Globe 4,5W  4,5W = 25W LED > 80% energy savings	3000 K	250 Lm	 E14	15 YEARS* 15 000 h	220V 50-60 Hz	LPE14MG4.5WW 3 760 179 405 217
Globe 7W  7W = 42W LED > 80% energy savings	3000 K	500 Lm	 E27	15 YEARS* 15 000 h	220 V 50-60 Hz	LPE27G7WW 3 760 179 407 297
Globe 10W  10W = 60W LED > 80% energy savings	3000 K	810 Lm	 E27	15 YEARS* 15 000 h	220 V 50-60 Hz	LPE27G10WW 3 760 179 407 303
GU5.3 4x1W  4W = 25W LED > 80% energy savings	3000 K 4000 K 6000 K	240 Lm 250 Lm 260 Lm	 GU5.3 Luminous intensity: 1000 cd 	15 YEARS* 15 000 h	12 V 50 Hz	LPGU534WW45E 3 760 179 404 999 LPGU534NW45E 3 760 179 405 026 LPGU534CW45E 3 760 179 405 064
GU10 4x1W  4W = 25W LED > 80% energy savings	3000 K 4000 K 6000 K	240 Lm 250 Lm 260 Lm	 GU10 Luminous intensity: 1000 cd 	15 YEARS* 15 000 h	100-240V 50-60 Hz	LPGU104WW45E 3 760 179 405 101 LPGU104NW45E 3 760 179 405 132 LPGU104CW45E 3 760 179 405 163

Lucibel France

Tel | +33 (0)1 80 04 12 30 Fax | +33 (0)1 47 49 08 45

Website | www.lucibel.com Email | contact@lucibel.com

Adresse | 30, avenue Edouard Belin 92500 Rueil-Malmaison, France

Products compatible only with Lucibel adjustable rings
(Lucibel Catalogue : references CBR0071 and CAR0071)



Performances may vary depending on usage

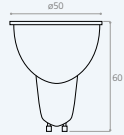
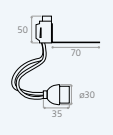
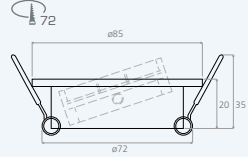
* 2h30 / day

The Kit GU10 LUCECO by Lucibel is an additional turnkey solution to the source only. **The comfortable and warm light quality** allows you total liberty to create your own ambiance...

Robust, economical and environmentally friendly.

Kit GU10 4x1W



w	Flux	Colour	Equivalence	Dimensions		
				GU10 4x1W	GU10 socket	Adjustable ring
LKITGU10WW4X1 3 760 179 400 519	4x1	240 Lm	3 000 K			
LKITGU10NW4X1 3 760 179 400 663		250 Lm	4 000 K			

4W = 25W
LED
> 80%
energy
savings



«Lucibel's LucEco» range of light bulbs comprises a limited selection of performance light bulbs that respond to specific market needs.

«LucEco by Lucibel»: Reliable quality products offering a highly attractive "performance-price" ratio with a lifetime that adapts to market expectations and performance that exceeds traditional light bulbs.

Performing, safe and affordable products!

LEDLEDLED



TRACKLED

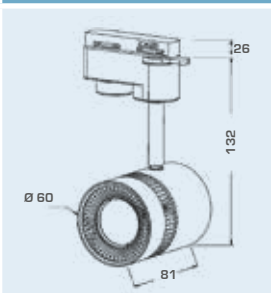
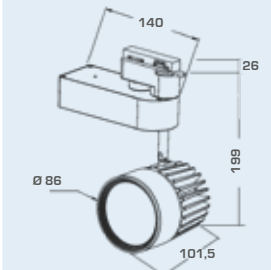
		Lamp power	Flux	Angle	Colour	CRI	Equivalence	Adjustable
LTK008WWCOB25I 3 760 179 407 372 LTK008NWWCOB25I 3 760 179 407 389		8W	390 Lm	25°	3 000 K	83	Halogen 50W	350° 90°
			420 Lm		4 000 K			
LTK014WWCOB30I 3 760 179 407 396 LTK014NWWCOB30I 3 760 179 407 402		14W	780 Lm	30°	3 000 K	82	Halogen 75W	350° 90°
			900 Lm		4 000 K			
LTK020WWCOB30I 3 760 179 407 419 LTK020NWWCOB30I 3 760 179 407 426		20W	1100 Lm	30°	3 000 K	83	Iodide 20W ou Halogen 100W	350° 90°
			1220 Lm		4 000 K			
LTK034WWCOB30I 3 760 179 407 433 LTK034NWWCOB30I 3 760 179 407 440		34W	1600 Lm	30°	3 000 K	82	Iodide 35W	350° 180°
			1880 Lm		4 000 K			

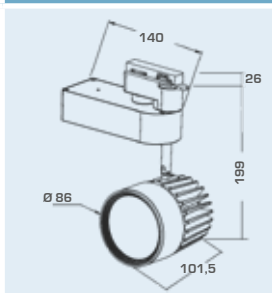
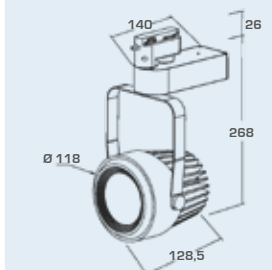
Type	Number of LED
Track-fitted spotlight	1 LED COB Bridgelux
3-circuit track mounting (not supplied)	
Integrated driver	230VAC - 50/60Hz
Lifetime	Operating temperature
30 000 hours	- 20°C / + 45°C
Passive heat sink	

- Ideal for lighting stores, showrooms, shopping malls and museums...
- Range of spotlights fitted on adjustable tracks featuring COB Bridgelux technology.
- Spotlight power ranging from 8W to 34W for replacing halogen reflector lamps of up to 100W and 20W iodide lamps.
- Low luminance facets featuring bright aluminum optics, guaranteeing uniform lighting.
- White and black aluminum spotlights.
- Long lifetime (> 30 000 hours) powered by a remote 14W driver, optimizing thermal dissipation.
- Absence of UV and IR radiation, which prevents overheating and/or color fading of surfaces or objects lit in stores.
- Good color rendering index (CRI82) for optimal value addition.
- Instant on/off.

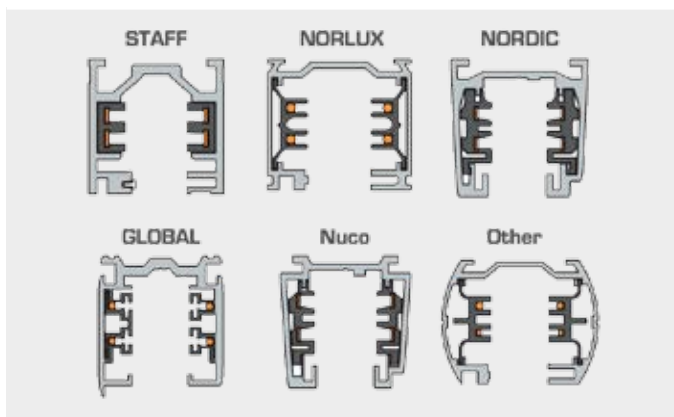


Performances may vary depending on usage

Power	Dimensions (mm)
8W	
14W	

Power	Dimensions (mm)
20W	
34W	

Track compatibility



Matériaux

White aluminum lacquered body; heat sink made of black anodized aluminum

Bright aluminum faceted reflector

Colours: White and black

Certifications

LVD	EN60598-1 ; EN 60598-2-1
EMC	IEC 61547 ; EN 55015 ; EN 61000-3-2 ; EN 61000-3-3
RoHS	

The range of spotlights "LucEco by Lucibel" comprises a limited selection of performance spotlights that respond to specific market needs.





«LucEco by Lucibel»: Reliable quality products offering a highly attractive "performance-price" ratio with a lifetime that adapts to market expectations and performance that exceeds traditional light bulbs.

Performing, safe and affordable products!

LEDLEDLED

LEDLED

MOONLED

		Lamp power	Flux	Angle	Colour	CRI	Equivalences	Version
LML011NWDETWHI 3 760 179 407 334		11W	780 Lm	120°	4 000 K	80	CFL18W	Presence and luminosity detector
LML011NW000WHI 3 760 179 407 341		11W	780 Lm	120°	4 000 K	80	CFL 18W	On / Off
LML022NWDETWHI 3 760 179 407 358		22W	1330 Lm	120°	4 000 K	80	CFL 2x18W	Presence and luminosity detector
LML022NW000WHI 3 760 179 407 365		22W	1330 Lm	120°	4 000 K	80	CFL 2x18W	On / Off

Type	Number of LED
Bulkhead	11W : 30 LED Samsung 22W : 60 LED Samsung

Supplied with vandal-proof screws and mounting tools

Integrated driver	230VAC - 50/60Hz
-------------------	------------------


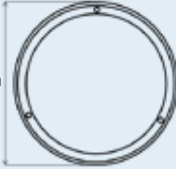

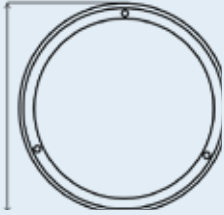
Connection through a 3-pole automatic connector

Lifetime	Operating temperature
30 000 hours	- 20°C / + 45°C

- Ideal for indoor and outdoor use (IP65): entry halls, corridors, stairs, facades, locker rooms...
- Can replace 18W and 2x18W fluocompact porthole lamps
- Surface mounting installation on walls and ceilings
- Vandal-proof through the use of anti-theft screws and shock-resistant polycarbonate diffuser (IK10).
- Good protection against dust and moisture
- Uniform and shadow-free diffusion of light
- Unlimited number of on/off cycles
- Autonomous model featuring an automatic presence detector (HF technology) acting as a deterrent against vandalism
- Available on order: model with switch-off prior warning and model with permanent pilot light



Performances may vary depending on usage

Power	Consumption	Dimensions (mm)
 11W	12,5W (On : Off version)	 265mm
	14W (detector version)	
 22W	22,5W (On : Off version)	 340mm
	24W (detector version)	

Integrated detector

Technology: 5.8Ghz hyper-frequency wave detector

Operating principle: each porthole functions independently. When movement is detected in the zone of detection (adjustable parameter) the detector switches on automatically to 100% and shuts off after an adjustable time lapse. Leave 3 meters between each porthole.

Range of detection : 1m / 1.5m / 2m / 3.5m / 5m

Lighting time : 5s / 30s / 3min / 5min / 15min / 25min

Light intensity threshold : 2lux / 5lux / 20lux / 30lux / OFF

Materials

Aluminium body (22W) - Polycarbonate body (11W)

Opal polycarbonate diffuser

Black or gray body (inquire previously)

Certifications

LVD EN60598-1 ; EN 60598-2-1, EN 62493
 EMC EN 55015 ; EN 61547 ; EN 61000-3-2 ; EN 61000-3-3

RoHS



Lucibel's «**LucEco by Lucibel**» range comprises a limited selection of high-performing lamps that respond to specific market needs.

«**LucEco by Lucibel**»: Reliable quality products offering a highly attractive “performance-price” ratio with a lifetime that adapts to market expectations and performance that exceeds traditional light bulbs.

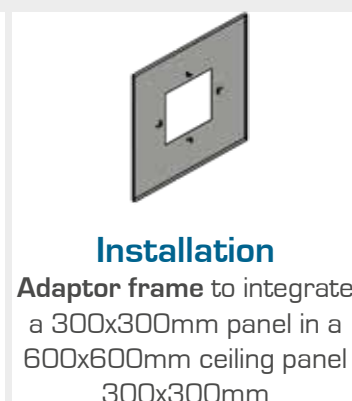
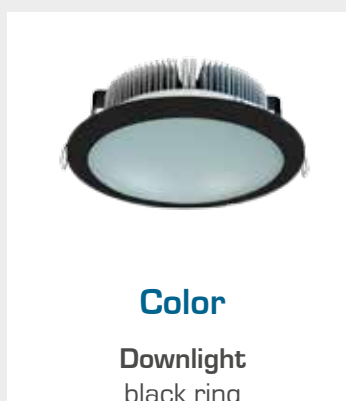
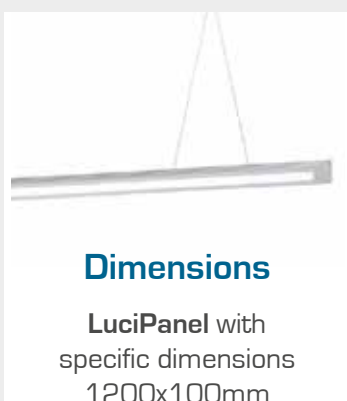
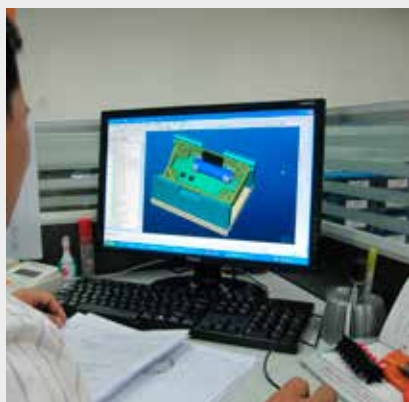
Performing, safe and affordable products!

An offer adapted to your needs

An LED lighting product designer, Lucibel proposes a true alternative to standard catalogue products by designing tailor-made products adapted to your specific requirements: dimensions, power rating, colours, accessories, assembly...

Based in France, a dedicated team of specialists (composed of a technical manager, project managers and support engineers) is at your service to advise you with your project as well as all standards to be respected and carries out a return on investment study in order to propose the product best adapted to your specific needs.

Based on your specifications (budget, ambiance...), our team can carry out a lighting study, 3D simulations, heat dissipation studies, or photometric calculations.



For further information,

Contact your Lucibel sales representative

or

Contact us at contact@lucibel.com

SOME FLAGSHIP ACHIEVEMENTS

Suspension with wires and rail

LuciPanel : **extra thin** LED panel
Direct and direct/indirect lighting

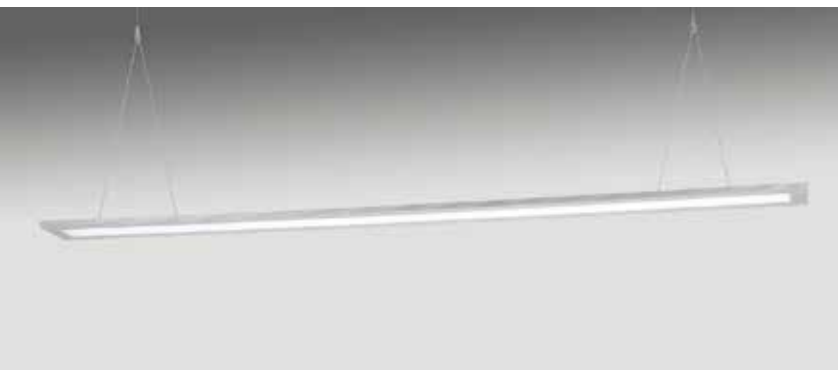
Elegant suspension with rail

Adaptable to all types of ceilings (mineral, wood, concrete panels...)

Compatible products : LuciPanel 1200x200mm et 1200x300mm



LuciPanel 1200x100mm 15W



Compatible Lucibel accessories: suspension wires

A **minimalist design** product

An **extra-thin** lighting unit with suspension, flush-mounted or built-in installation

Possibility of **continuous line installation**

A product of **architectural** design ideal for lighting channels

Luminosity : 1200 Lm

Available in 2800K, 4000K et 6000K

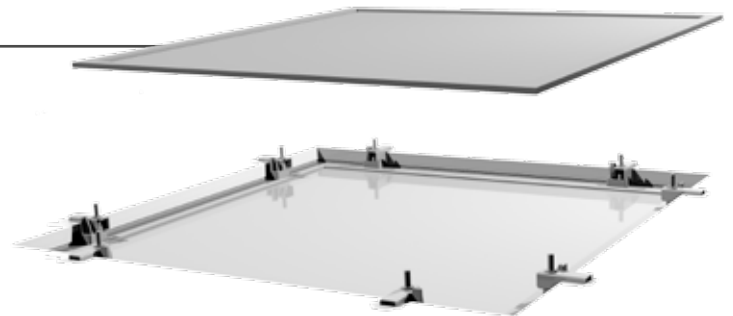
Single-sided frame IP65

A single-sided **sealed frame** for the built-in LuciPanel 600x600mm

Easy installation in ceilings of the type Staff from 5 to 20 mm.

A esthetically agreeable visual finish

An ideal accessory for installation of the LuciPanel in **humid environments**



Customised Downlight

Several choices of **ring diameters** for all our standards Downlights

Several choices of **RAL ring colours**: RAL 9006 and RAL 7035, ...

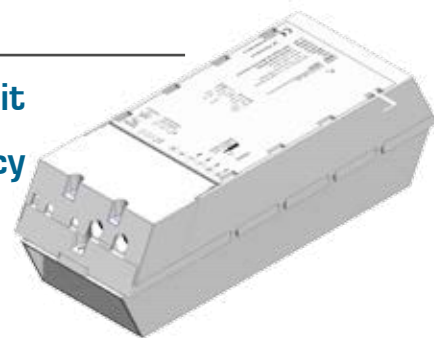
Emergency Lighting

A kit for transformation of a lighting unit into an **emergency lighting unit**

A battery is used to assure **minimum lighting** in case of an **emergency**

An **uninterrupted supply** of the emergency lighting lamps

Compatible Lucibel products: LuciPanel and Downlight



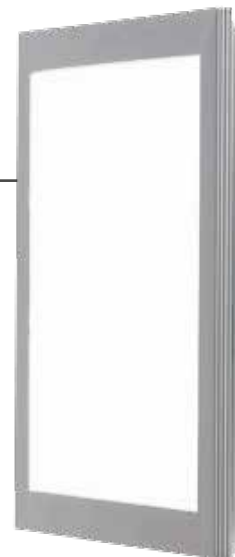
LuciPanel 300x300mm 20W

An **extra-thin** lighting unit with suspension, flush-mounted (wall or ceiling) or built-in

Luminosity: 1474 Lm

Available in 2800K, 4000K and 6000K

Compatible Lucibel accessories: Mounting frame, suspension cable, Staff fitting frame



LuciPark dimmable



A **sealed** and **robust** lighting unit (30 and 50W) dimmable unit (1-10V) enabling **adaptation of lighting** as required from day to day with subsequent power saving

A possibility of **cross wiring** for fast and practical installation

Possibility of **serial production**

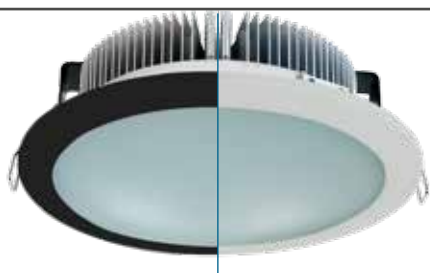
Head of LuciTrack

A **swivel** spotlight

Installation on the same support (all types of walls and ceilings) with no rail needed

A **free choice of driver**: standard, dimmable or DALI

Two rotation axes enabling directional lighting as required



LED lighting solutions for Shop

«Mellow Yellow», Paris, France

Chemist's «Epluches», St-Ouen l'Aumône, France



«Comptoir Nourisson», La Garenne-Colombes, France

«Can Fajol», Figueres, Spain



«Milar», Ripoll, Spain





LUCIBEL
FRANCE



LUCIBEL
MIDDLE-EAST



LUCIBEL
HONG KONG



LUCIBEL
SPAIN



LUCIBEL
SWITZERLAND



LUCIBEL
BENELUX

Headquarter

+33 1 80 04 12 30
contact@lucibel.com
30 avenue Edouard Belin
92500 Rueil-Malmaison

+971 43 88 66 91
contact@lucibel.ae
P.O. box 341407
Dubai Silicon Oasis
Suntech Tower Office 609

+852 2964 9333
hk@lucibel.com
Unit 911, 9/f., Century Centre,
44-46 Hung To Road,
Kwun Tong, Kowloon,
Hong Kong

+34 931 760 009
contact-es@lucibel.com
World Trade Center
Muelle de Barcelona,
Edif. Sur, 2ª Planta
Barcelona, 08039

+41 22 311 33 25
contact-ch@lucibel.com
contact-de@lucibel.com
Chemin des Chalets 7
1279 Chavannes de Bogis

+32 4 71 29 22 79
contact-be@lucibel.com
Battelsesteenweg 455E,
2800 Mechelen
Belgique



www.lucibel.fr